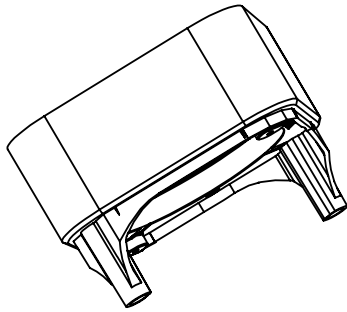


DATE	PROJECT	FIRM	TYPE
------	---------	------	------

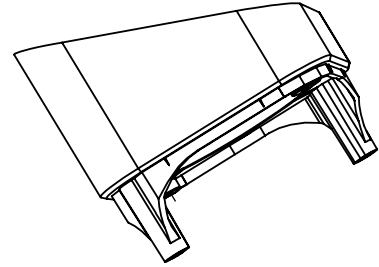
RISE F080 SNOOTS



Full Snoot

F080-F-(K,Z,S,W,C)

A FULL SHIELD USED TO CUT OFF LINE OF SIGHT TO THE LIGHT SOURCE OR TO REDUCE GLARE. FULL SNOOT IS USED WITH INSTALLATION HAS A 360° VIEWING ANGLE AND IS A DIE CAST PART, POWDER COATED TO MATCH FINISH. AVAILABLE IN BLACK, BRONZE, SILVER, WHITE OR CUSTOM COLOR FINISH.

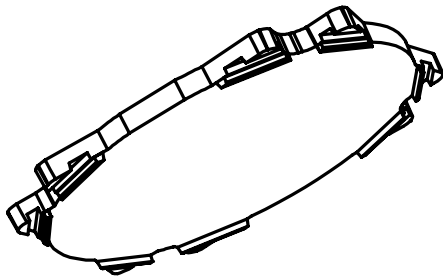


Half Snoot

F080-H-(K,Z,S,W,C)

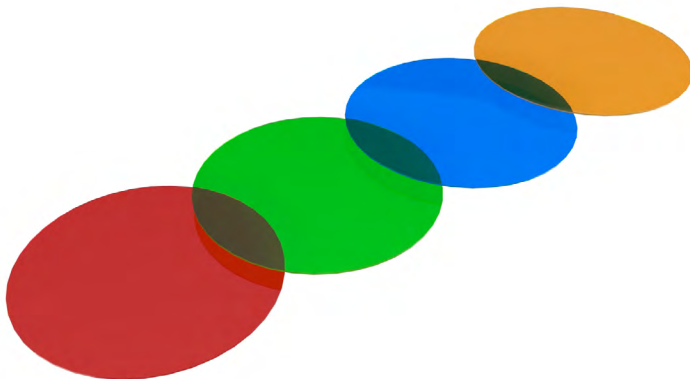
45° SHIELD USED TO CUT OFF LINE OF SIGHT TO LIGHT SOURCE OR TO REDUCE GLARE. HALF SNOOT IS USED WHEN THE INSTALLATION HAS 180° VIEWING ANGLE AND IS A DIE CAST PART, POWDER COATED TO MATCH FINISH. AVAILABLE IN BLACK, BRONZE, SILVER, WHITE OR CUSTOM COLOR FINISH.

INTERCHANGEABLE LENS



- 05-Laser Spot (5°) - F080-LENS-05
- 10-Very Narrow Spot (10°) - F080-LENS-10
- 15-Narrow Spot (15°) - F080-LENS-15
- 20-Spot (20°) - F080-LENS-20
- 40-Flood (40°) - F080-LENS-40
- 60-Wide Flood (60°) - F080-LENS-60
- 80-Very Wide Flood (80°) - F080-LENS-80
- E1-Elliptical 1 (15°x60°) - F080-LENS-15x60
- E2-Elliptical 2 (30°x60°) - F080-LENS-30x60
- E3-Elliptical 3 (60°x15°) - F080-LENS-60x15
- E4-Elliptical 4 (60°x30°) - F080-LENS-60x30

COLOR FILTERS



Red
F080-FILTER-RED

Green
F080-FILTER-GREEN

Blue
F080-FILTER-BLUE

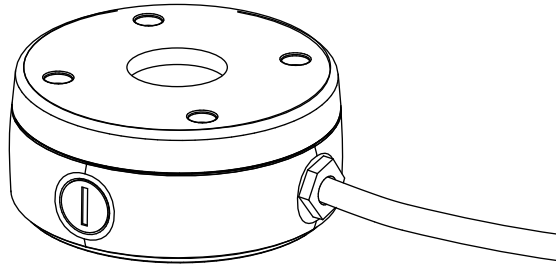
Amber
F080-FILTER-AMBER

*For best results use with the following CCT

Color	CCT
Red	2700K
Green	4000K
Blue	5000K
Amber	3000K

DATE	PROJECT	FIRM	TYPE
------	---------	------	------

CANOPY PLATE

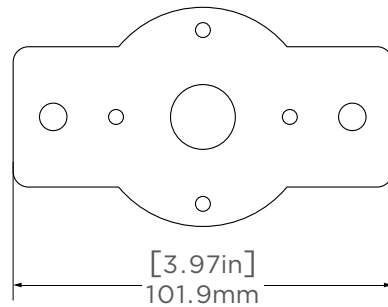
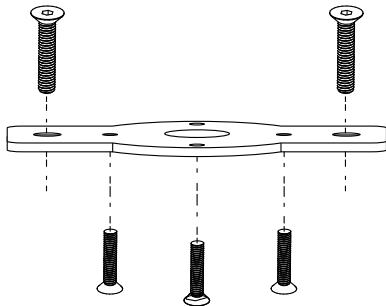


RISE-CANOPY 04-(K,Z,S,W)

4" ROUND DIE CAST ALUMINUM JUNCTION BOX COVER FOR STANDARD NORTH AMERICAN JUNCTION BOXES. AVAILABLE IN BLACK, BRONZE, SILVER, WHITE OR CUSTOM COLOR FINISH.

SURFACE MOUNT PLATE

[inch]
mm



F080-SMP-(K,Z,S,W)

ALUMINUM, POWDER COATED PLATE USED TO MOUNT FIXTURES TO FLAT SURFACE. COMPATIBLE WITH THE IC (INTERNAL CABLE) AND EC- BOTTOM (EXTERNAL CABLE) MOUNTING OPTIONS. AVAILABLE IN BLACK, BRONZE, SILVER, WHITE OR CUSTOM COLOR FINISH.