

DATE	PROJECT	FIRM	TYPE
------	---------	------	------

CONDUIT SLIP FITTER

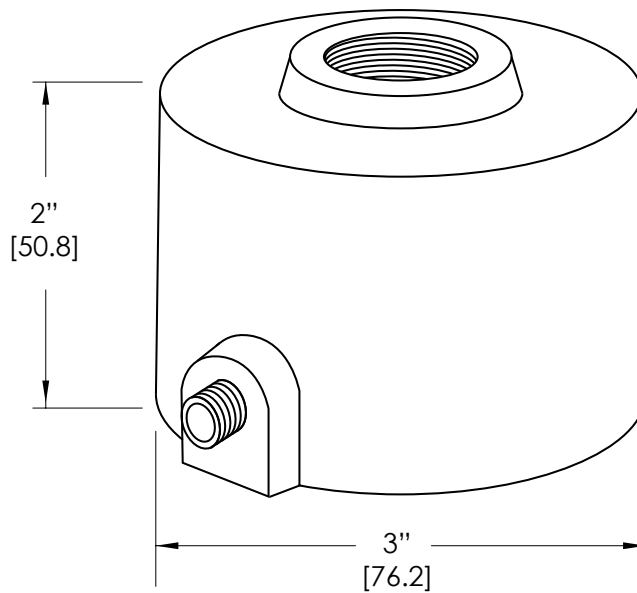
FEATURES :

- CAST ALUMINUM HUB
- THREADED ENTRY FOR THE 1/2" ADJUSTABLE FITTER
- SLIPS OVER A 2-3/8" O.D. PIPE OR TENON
- AVAILABLE IN BLACK OR BRONZE
- COMPATIBLE WITH RISE F080 AND RISE F170 SINGLE HEAD ONLY, NOT FOR USE WITH MULTI-HEAD FIXTURE UNITS
- NOT UL LISTED



PHYSICAL	DIMENSIONS FINISH	L 2" X D 3": (50.8mm X 76.2mm) BLACK OR BRONZE
----------	----------------------	---------------------------------------------------

RISE SLIP FITTER



ORDERING

PART NUMBER	DESCRIPTION
RISE-SLIP-FITTER-(K,Z)	RISE SLIP FITTER, COLOR FINISH (K=BLACK, Z=BRONZE) (FOR USE WITH RISE F080 AND RISE F170 SINGLE HEAD ONLY, NOT FOR USE WITH MULTI-HEAD FIXTURE UNITS)

ECOSENSE LIGHTING INC.  
837 NORTH SPRING STREET  
SUITE 103  
LOS ANGELES CA, 90012

P • 310.496.6255  
F • 310.496.6256  
T • 855.632.6736  
855.6.ECOSEN

SPECIFICATIONS SUBJECT TO CHANGE WITHOUT NOTICE. VISIT [ECOSENSELIGHTING.COM](http://ECOSENSELIGHTING.COM) FOR THE MOST CURRENT SPECIFICATIONS.  
© 2017 ECOSENSE LIGHTING INC. ALL RIGHTS RESERVED. ECOSENSE, THE ECOSENSE LOGO, RISE, TROV AND ECOSPEC ARE REGISTERED TRADEMARKS OF ECOSENSE LIGHTING INC.

[ECOSENSELIGHTING.COM](http://ECOSENSELIGHTING.COM)