

DATE	PROJECT	FIRM	TYPE
------	---------	------	------

WEATHERPROOF RECTANGULAR SINGLE GANG BOX COVER

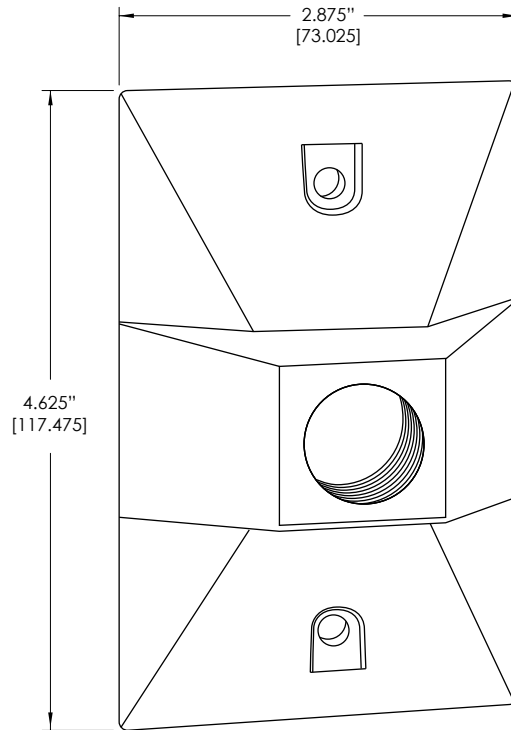
FEATURES :

- STURDY COVER FOR EASY VISIBILITY
- EASY INSTALLATION
- RECTANGULAR 1-HOLE RAISED WEATHERPROOF COVER
- PRECISION DIE-CAST ALUMINUM FOR ADDED DURABILITY
- SMOOTH EDGES ELECTRICAL CORD SLOTS
- SINGLE 1/2" HOLE
- INCLUDES TWO STAINLESS STEEL SCREWS
- SILVER GRAY
- COMPATIBLE WITH F080 AND F170, INTERIOR RATED CABLE (IC)



PHYSICAL	DIMENSIONS	FINISH
	W 2.875" x H 4.625": (73.025mm x 117.475mm)	SILVER GRAY

RISE SINGLE GANG BOX COVER



ORDERING

PART NUMBER	DESCRIPTION
RISE-JBC-RABR14	RISE SINGLE GANG BOX COVER

LIMITED WARRANTY 5 YEARS

ECOSENSE LIGHTING INC.
837 NORTH SPRING STREET
SUITE 103
LOS ANGELES CA, 90012

P • 310.496.6255
F • 310.496.6256
T • 855.632.6736
855.6.ECOSEN

SPECIFICATIONS SUBJECT TO CHANGE WITHOUT NOTICE. VISIT ECOSENSELIGHTING.COM FOR THE MOST CURRENT SPECIFICATIONS.
© 2017 **ECOSENSE** LIGHTING INC. ALL RIGHTS RESERVED. **ECOSENSE**, THE **ECOSENSE** LOGO, **RISE**, **TROV** AND **ECOSPEC** ARE REGISTERED TRADEMARKS OF **ECOSENSE** LIGHTING INC.

ECOSENSELIGHTING.COM

1/1