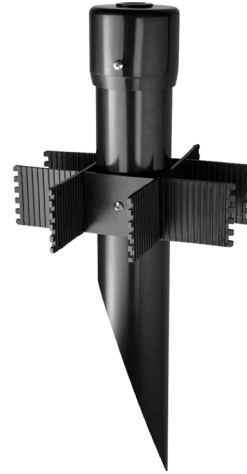


DATE	PROJECT	FIRM	TYPE
------	---------	------	------

PERMA POST WITH IN GROUND STABILIZING GRID

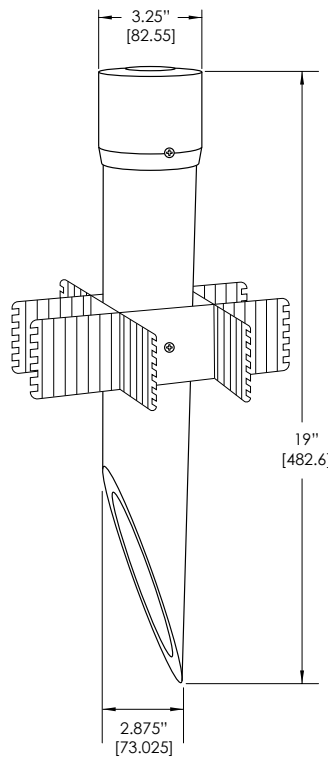
FEATURES :

- MOLDED PVC CAP
- SET SCREW LOCKS CAP TO POST AND PREVENTS ROTATION
- STURDY STABILIZER WITH TEETH AND RIBS FOR MAXIMUM STABILITY
- ROUNDED EDGES PROTECT WIRES
- 1/2" THREADED HOLDS FIT STANDARD LIGHTS
- 19" MOUNTING POST FOR GROUND MOUNTING LIGHTING
- BLACK
- FOR USE WITH EXTERIOR RATED CABLE (EC) BOTTOM EXIT ONLY
- COMPATIBLE WITH RISE F080 AND RISE F170 SINGLE HEAD ONLY, NOT FOR USE WITH MULTI-HEAD FIXTURE UNITS
- UL LISTED



PHYSICAL	DIMENSIONS	FINISH
	L 19" x D 3.25": (482.6mm x 82.55mm)	BLACK

RISE PERMA POST



ORDERING

PART NUMBER	DESCRIPTION
RISE-PERMA-POST-19	RISE PERMA POST (FOR USE WITH RISE F080 AND RISE F170 SINGLE HEAD ONLY, NOT FOR USE WITH MULTI-HEAD FIXTURE UNITS)

ECOSENSE LIGHTING INC.
837 NORTH SPRING STREET
SUITE 103
LOS ANGELES CA, 90012

P • 310.496.6255
F • 310.496.6256
T • 855.632.6736
855.6.ECOSEN

SPECIFICATIONS SUBJECT TO CHANGE WITHOUT NOTICE. VISIT ECOSENSELIGHTING.COM FOR THE MOST CURRENT SPECIFICATIONS.
© 2017 ECOSENSE LIGHTING INC. ALL RIGHTS RESERVED. ECOSENSE, THE ECOSENSE LOGO, RISE, TROV AND ECOSPEC ARE REGISTERED TRADEMARKS OF ECOSENSE LIGHTING INC.

ECOSENSELIGHTING.COM