

DATE	PROJECT	FIRM	TYPE
------	---------	------	------

RISE MULTI UP TENON MOUNT USED TO MOUNT THE BRACKETRY TO THE GROUND

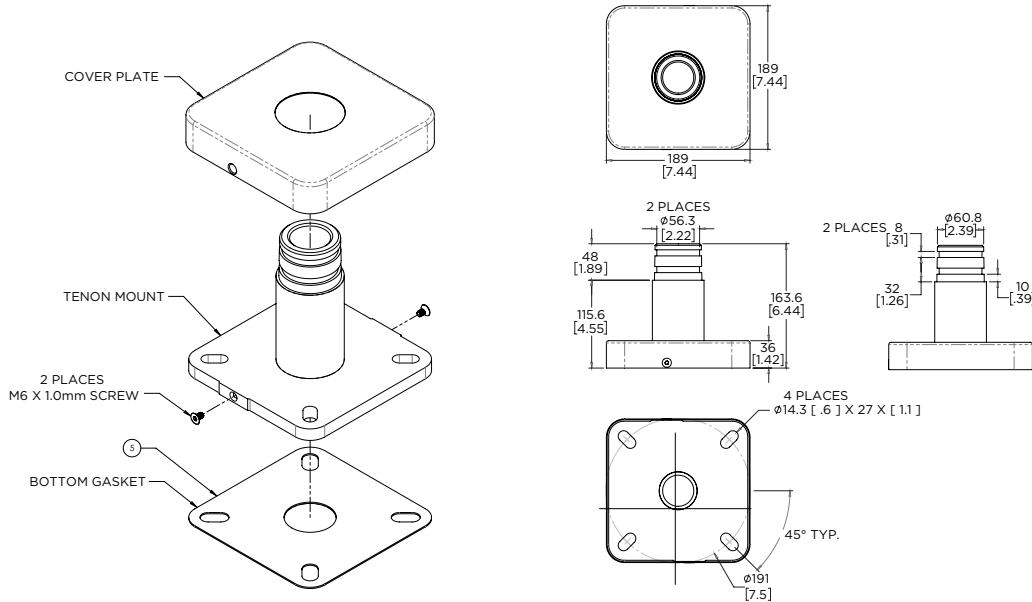
FEATURES :

- COMPATIBLE WITH RISE F170 DUO, F170 QUAD AND F380 COMBO WITH EC BOTTOM MOUNTING OPTION ONLY
- MOUNTS TO SURFACE, NOT DIRECTLY ONTO JUNCTION BOX
- STAINLESS STEEL & ALUMINUM PARTS POWDER COATED IN STANDARD BLACK FINISH
- AVAILABLE TO BE CUSTOM PAINTED ANY COLOR
- UL LISTED



PHYSICAL	DIMENSIONS	189mm X 189mm
	WEIGHT	14.77lbs, 6.7kg

RISE MULTI UP TENON MOUNT



ORDERING

PART	DESCRIPTION
RISE-MULTI-SMP-K	RISE MULTI UP TENON / MOUNT SURFACE PLATE - BLACK
RISE-MULTI-SMP-Z	RISE MULTI UP TENON / MOUNT SURFACE PLATE - BRONZE
RISE-MULTI-SMP-S	RISE MULTI UP TENON / MOUNT SURFACE PLATE - SILVER
RISE-MULTI-SMP-W	RISE MULTI UP TENON / MOUNT SURFACE PLATE - WHITE
RISE-MULTI-SMP-C	RISE MULTI UP TENON / MOUNT SURFACE PLATE - CUSTOM

LIMITED WARRANTY 5 YEARS

ECOSENSE LIGHTING INC.
837 NORTH SPRING STREET
SUITE 103
LOS ANGELES CA, 90012

P • 310.496.6255
F • 310.496.6256
T • 855.632.6736
855.6.ECOSEN

SPECIFICATIONS SUBJECT TO CHANGE WITHOUT NOTICE. VISIT ECOSENSELIGHTING.COM FOR THE MOST CURRENT SPECIFICATIONS. FOR A LIST OF PATENTS VISIT ECOSENSELIGHTING.COM/IP-PORTFOLIO/
©2017 ECOSENSE LIGHTING INC. ALL RIGHTS RESERVED. ECOSENSE, THE ECOSENSE LOGO, TRØV, TROV AND ECOSPEC ARE REGISTERED TRADEMARKS OF ECOSENSE LIGHTING INC.
RISE™, SLIM COVER™, FREEDOM TO CREATE™, MACRO™, FLIP-TO-FLAT™ ARE TRADEMARKS OF ECOSENSE LIGHTING INC.

ECOSENSELIGHTING.COM