

DATE	PROJECT	FIRM	TYPE
------	---------	------	------

SLIM COVE INT IS AN ENERGY EFFICIENT, HIGH OUTPUT, LOW PROFILE, SIMPLE INSTALLATION FIXTURE DESIGNED WITH LINE VOLTAGE IN-LINE CONNECTIONS. THE SLIM COVE LINE VOLTAGE ALSO CAN BE USED FOR PORTABLE LISTING APPLICATIONS WITH THE USE OF AN OPTIONAL CORD AND PLUG POWER CABLE.

**FEATURES :**

- ECONOMICAL
- LOW PROFILE
- HIGH EFFICACY
- SIMPLE INSTALLATION
- INTEGRAL DRIVER / AC POWER
- PORTABLE INSTALLATION AVAILABLE



MODEL	LENGTH	COLOR	VOLTAGE	LENS
SCIS	06 - 6" 12 - 12" 48 - 48"	27 - 2700K 30 - 3000K 35 - 3500K 40 - 4000K	120 - 100-120VAC	CL - Clear Lens

**EXAMPLE:** SCIS - 12 - 27 - 120 - CL

PERFORMANCE	CCT(K)	OPTIC	LUMEN OUTPUT / LF	EFFICACY (lm/W)
	2700K	120°x120°	302 lm	84lm/W
	3000K	120°x120°	308 lm	85lm/W
	3500K	120°x120°	328 lm	91lm/W
	4000K	120°x120°	348 lm	98lm/W

<b>COLOR RENDERING INDEX</b>	80+
<b>COLOR CONSISTENCY</b>	2 STEP MACADAM ELLIPSE
<b>LUMEN DEPRECIATION / RATED LIFE</b>	L70 > 50,000 HOURS @ 25°C**

\*\*Calculations for LED fixtures are based on measurements that comply with IES LM-80 testing procedures and IES TM-21 Calculator.

ELECTRICAL	POWER CONSUMPTION	TYPICAL WATTAGE: 1.6W(6in) ; 3.5W(12in) ; 14W(48in) (THE TYPICAL INPUT POWER RANGE ALLOWS FOR A +/-10% VARIATION OF ALL COMPONENTS) MAXIMUM WATTAGE: 2W(6in) ; 4W(12in) ; 16W (48in) (ALL FIXTURES ARE LABELLED WITH MAXIMUM WATTAGE)
	<b>POWER FACTOR</b>	48in PF>0.35, 12in PF>0.35, 6in PF>0.25
	<b>MAX FIXTURE RUN LENGTH</b>	90ft (27m)
	<b>OPERATING VOLTAGE</b>	100-120VAC, 50/60Hz
	<b>DRIVER</b>	INTEGRAL TO FIXTURE
	<b>STARTUP TEMPERATURE</b>	-4°F TO 122°F (-20°C TO 50°C)
	<b>OPERATING TEMPERATURE</b>	-4°F TO 122°F (-20°C TO 50°C)
	<b>STORAGE TEMPERATURE</b>	-40°F TO 176°F (-40°C TO 80°C)
	<b>CONTROL</b>	NOT DIMABLE. ON-OFF CONTROL ONLY

EcoSense THD/Inrush Current/Power Factor Information: Please contact an EcoSense Lighting sales representative.  
 \*Maximum run length is based on the measurements of 12" and 48" fixtures. Please contact an EcoSense Lighting representative for 6" fixture need.

DATE	PROJECT	FIRM	TYPE
<b>PHYSICAL</b>	<b>DIMENSIONS (WITH MOUNTING CLIP) (WITHOUT MOUNTING CLIP)</b>	W 1.37" x H 0.93" x L 6"/12"/48"; (34.7mm x 23.6mm x 152.4/304.8mm/1,219.2mm) W 0.91" x H 0.91" x L 6"/12"/48"; (23mm x 23mm x 152.4/304.8mm/1,219.2mm)	
	<b>HOUSING / LENS</b>	POLYCARBONATE	
	<b>WEIGHT</b>	0.13lbs / 0.06kg (6in) ; 0.24lbs / 0.11kg (1ft) ; 0.92lbs / 0.415kg (4ft)	
	<b>CONNECTORS</b>	INTEGRAL MALE / FEMALE 2 PIN CONNECTORS	
	<b>ENVIRONMENT</b>	INDOOR; ETL CERTIFIED FOR DRY/DAMP LOCATIONS	
	<b>BEAM ANGLE</b>	CLEAR LENS: 120° x 120°, FROSTED LENS ACCESSORY AVAILABLE	
	<b>MOUNTING OPTIONS:</b>	INTEGRAL ADJUSTABLE	

**RATING & CERTIFICATIONS** ETL Certified to UL 1598 and UL 153  
RoHS Compliant



**LIMITED WARRANTY** 5 Years

**OPTIONAL ACCESSORIES**

**Wiring Options**

**Power Cables - 120V**

*Leader Cable, 10ft .....	INT2P-A-LDR-120-10
*Leader Cable, Cord + Plug, 10ft .....	INT2P-A-LDR-CP-120-10
Jumper Cable, 12in .....	INT2P-A-JMP-120-12
Jumper Cable, 3in .....	INT2P-A-JMP-120-03

\* One (1) Terminator included standard with each leader cable.

One Leader Cable is required per circuit / fixture run. Leader / Jumper cables are not rated for plenum applications.

**Mounting Options**

Adjustable Mounting Clip (Included with fixtures. Only order if misplaced) .....	SCI-A-MNT-ADJ
Mounting Track, 48in .....	SCI-A-MNT-TRK-48

**Louver Options**

Louver, 6in .....	SCI-A-LVR-06
Louver, 12in .....	SCI-A-LVR-12

**Accessory Options**

In-Line Switch, Cord + Plug .....	SCI-A-ILS-CP-120
Switched Junction Box .....	SCI-A-SJB-120

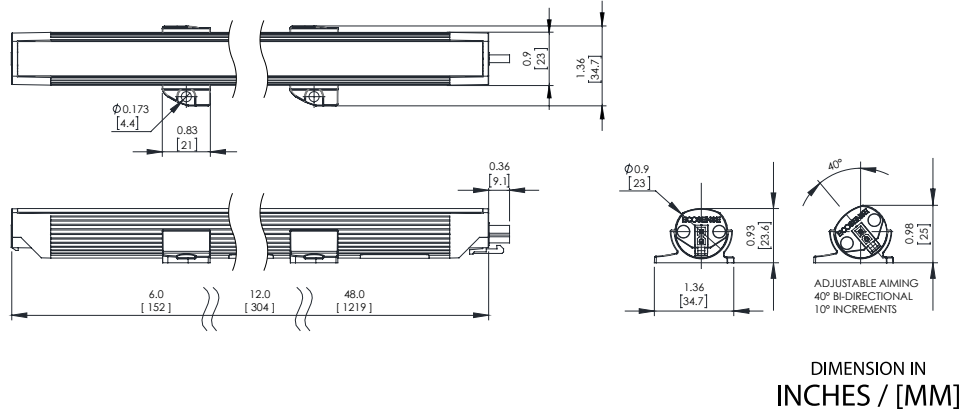
One (1) Terminator included standard with each In-Line Switch and Switched Junction Box.

**Snap on Frosted Lens Options**

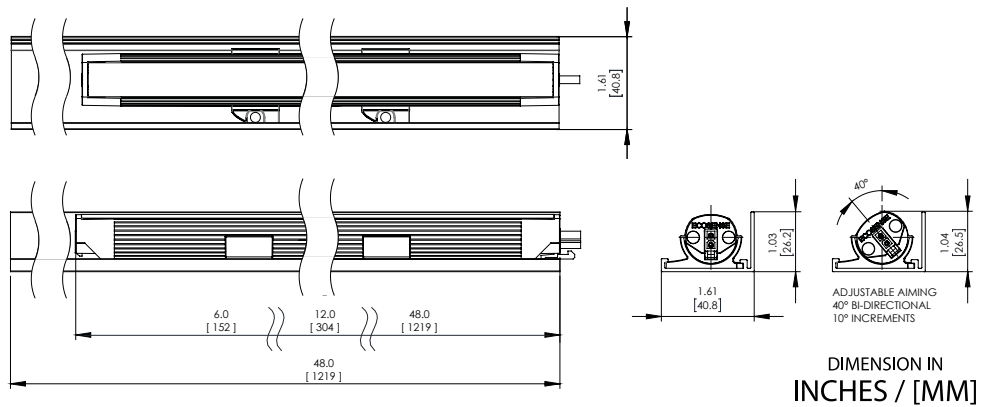
Frosted Lens, 6in .....	SCI-A-FRLS-06
Frosted Lens, 12in .....	SCI-A-FRLS-12
Frosted Lens, 48in .....	SCI-A-FRLS-48

DATE	PROJECT	FIRM	TYPE
------	---------	------	------

**DIMENSIONS - ADJUSTABLE MOUNTING CLIP - DIRECT MOUNT**



**DIMENSIONS - ADJUSTABLE MOUNTING CLIP - DIRECT MOUNT WITH MOUNTING TRACK**



**DISTRIBUTIONS**  
 SCIS-XX-XX-120-CL  
 120° X 120°

