

TYPE

OVERVIEW / SPECIFICATION



The Slim Cove Switched Junction Box allows you to run conduit directly to the box, while the fixture connects directly to the other side. This solution provides on/off switching and is perfect for hard wired applications.

PHYSICAL	Material(s)	Polycarbonate
	Finish	Matt Surface, Mouse Grey
	Dimensions	W 2.05" x H 1.38" x L 4.03"; (52mm x 35mm x 102.4mm)

ORDERING

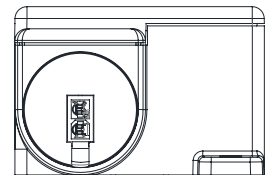
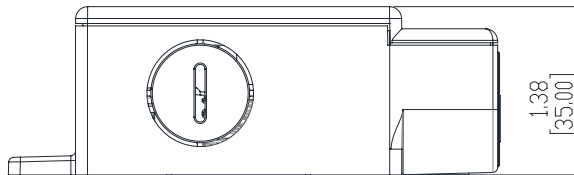
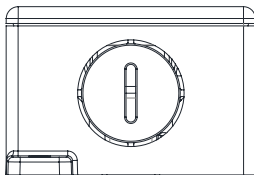
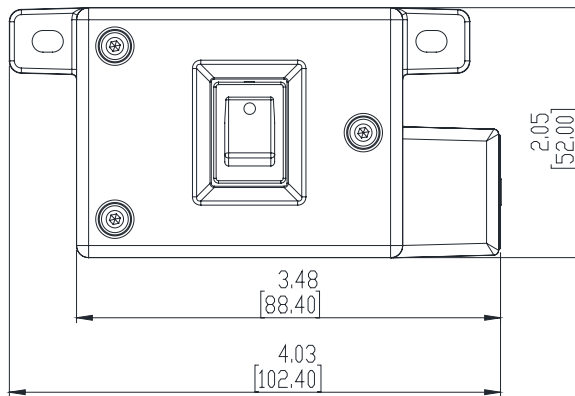
Choose the option that best suits your needs and write its corresponding code on the appropriate line to form the product code

SCI	-	A	-	SJB	-	120
MODEL				VOLTAGE		
SCI - Slim Cove INT				120 - 100-120VAC		
EXAMPLE: SCI* - A - SJB - 120 (*Slim Cove Interior)						

DIMENSIONS

For complete dimensions and submittal drawings, please visit:
ecosenselighting.com

Switch Junction Box - Slim Cove INT



DIMENSION IN
 INCHES / [MM]

OVERVIEW / SPECIFICATION



The Slim Cove In-Line Switch is a simple on/off switch for portable applications of the Slim Cove product. Ideal where conduit connection is not available or necessary.

PHYSICAL	Material(s)	Polycarbonate
	Finish	Matt Surface, Mouse Grey
	Dimensions (With Mounting Clip)	W 1.37" x H 1.04" x L 3.1" (34.7mm x 26.5mm x 78 mm)
	Dimensions (Without Mounting Clip)	W 0.91" x H 0.95" x L 3.1" (23mm x 24.1mm x 78 mm)
	Cable Length	10' (3.05m)

ORDERING

Choose the option that best suits your needs and write its corresponding code on the appropriate line to form the product code

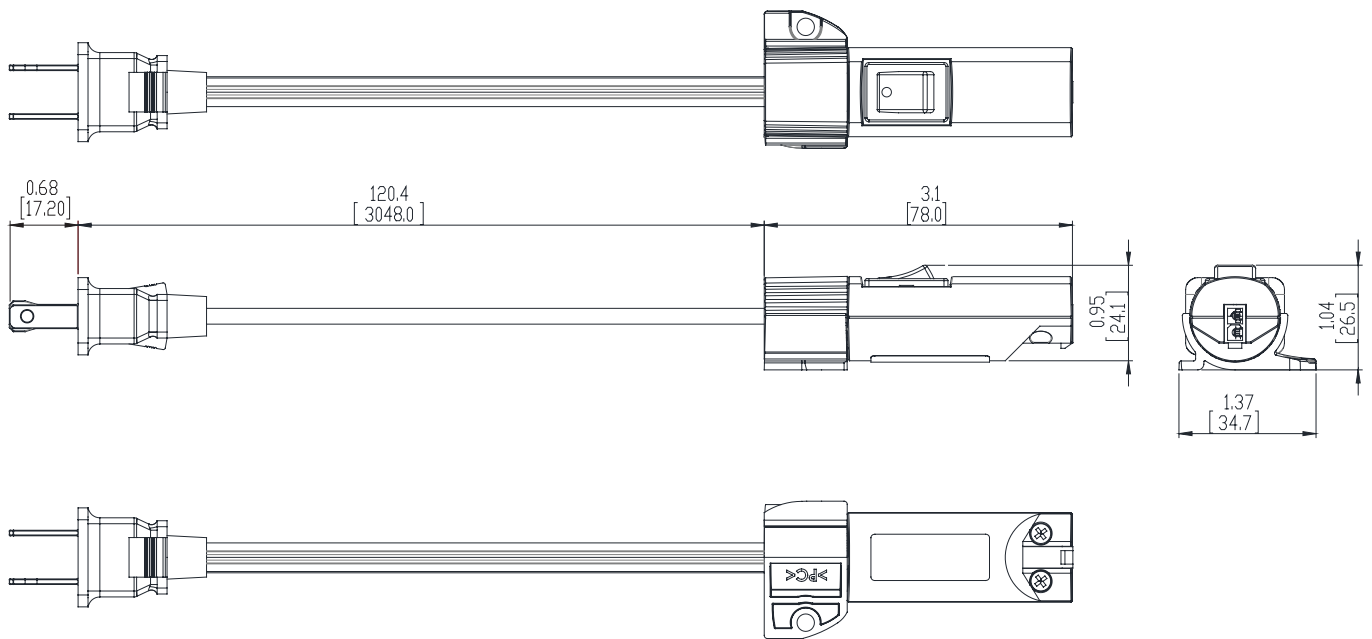
SCI	-	A	-	ILS	-	CP	-	120
MODEL							VOLTAGE	
SCI - Slim Cove INT							120 - 100-120VAC	
EXAMPLE: SCI* - A - ILS - CP - 120 (*Slim Cove Interior)								

DATE _____	TYPE _____
PROJ. _____	
FIRM _____	

DIMENSIONS

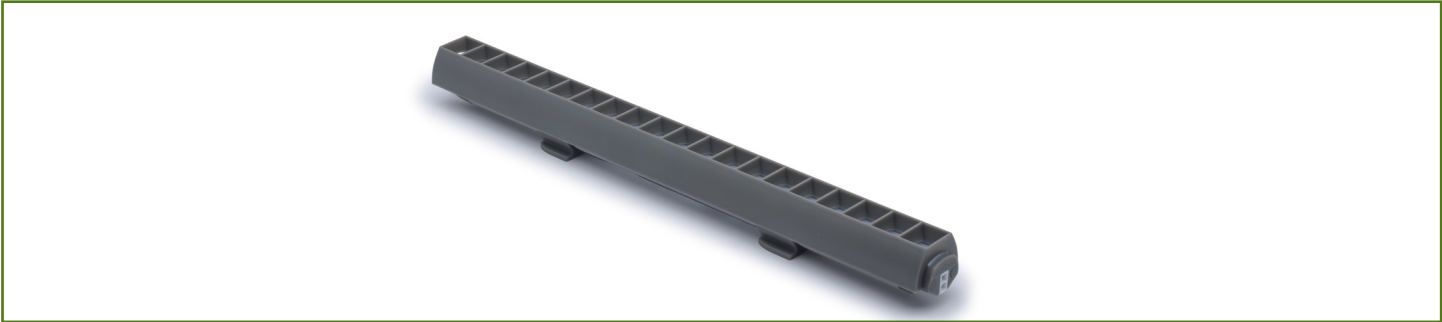
For complete dimensions and submittal drawings, please visit:
ecosenselighting.com

In-Line Switch - Slim Cove INT



DIMENSION IN
 INCHES / [MM]

OVERVIEW / SPECIFICATION



The Slim Cove Louver maintains maximum light output while providing glare and sight line reductions. Each optic is centered in its own cell maximizing light output and providing beautiful results. Available in 6" and 12" lengths.

PHYSICAL	Material(s)	Polycarbonate
	Finish	Matt Surface, Mouse Grey
	Lengths	6" (152.4mm) / 12" (304.8mm)

ORDERING

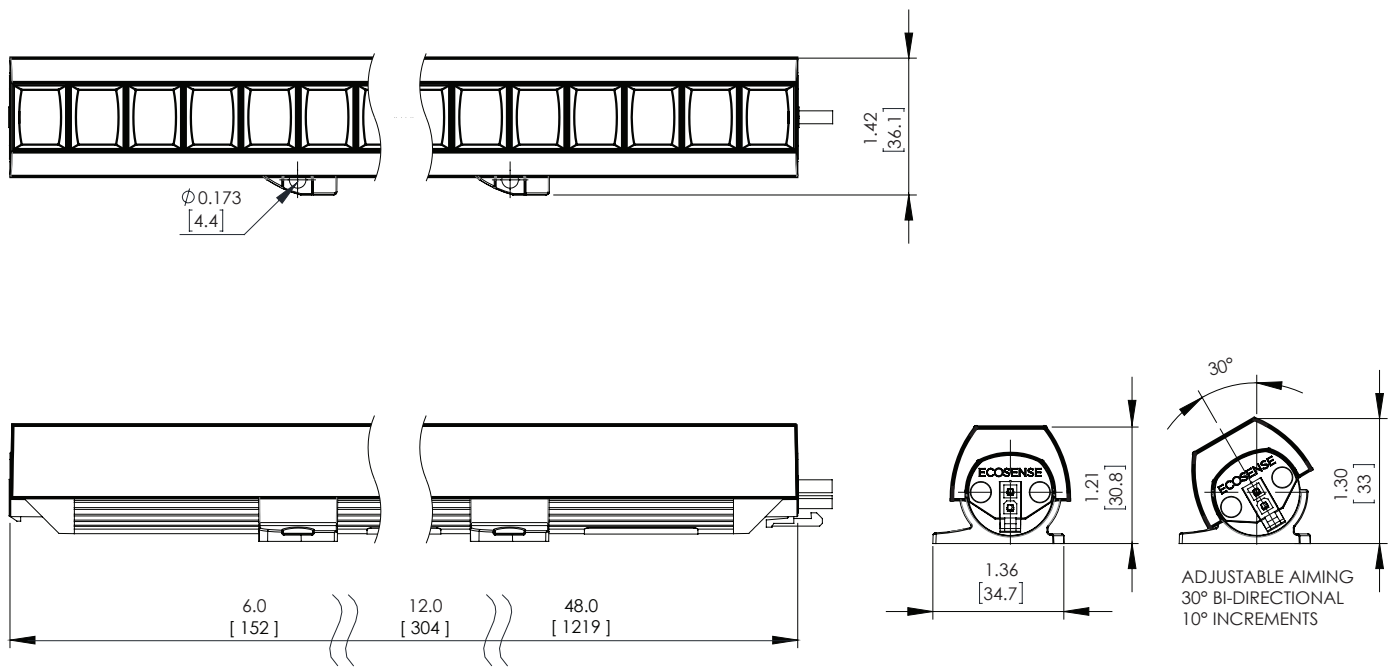
Choose the option that best suits your needs and write its corresponding code on the appropriate line to form the product code

SCI	-	A	-	LVR	-	
MODEL					LENGTH	
SCI - Slim Cove INT					06 - 6"	
					12 - 12"	
EXAMPLE: SCI* - A - LVR - 12 (*Slim Cove Interior)						

DIMENSIONS

For complete dimensions and submittal drawings, please visit:
ecosenselighting.com

Louver - Slim Cove INT



DIMENSION IN
 INCHES / [MM]

OVERVIEW / SPECIFICATION



The Frosted Lens accessory is a snap-on diffused lens that provides a soft effect. It snaps easily onto the Slim Cove INT products, either before or after installation, for quick infield design changes. The lens is ideal for applications where the fixture is visible and LED glare needs to be reduced.

PHYSICAL	Material(s)	Polycarbonate
	Finish	Gross White
	Lengths	6" (152.4mm) / 12" (304.8mm) / 48" (1219.2mm)
PERFORMANCE	Light Loss	23%

ORDERING

Choose the option that best suits your needs and write its corresponding code on the appropriate line to form the product code

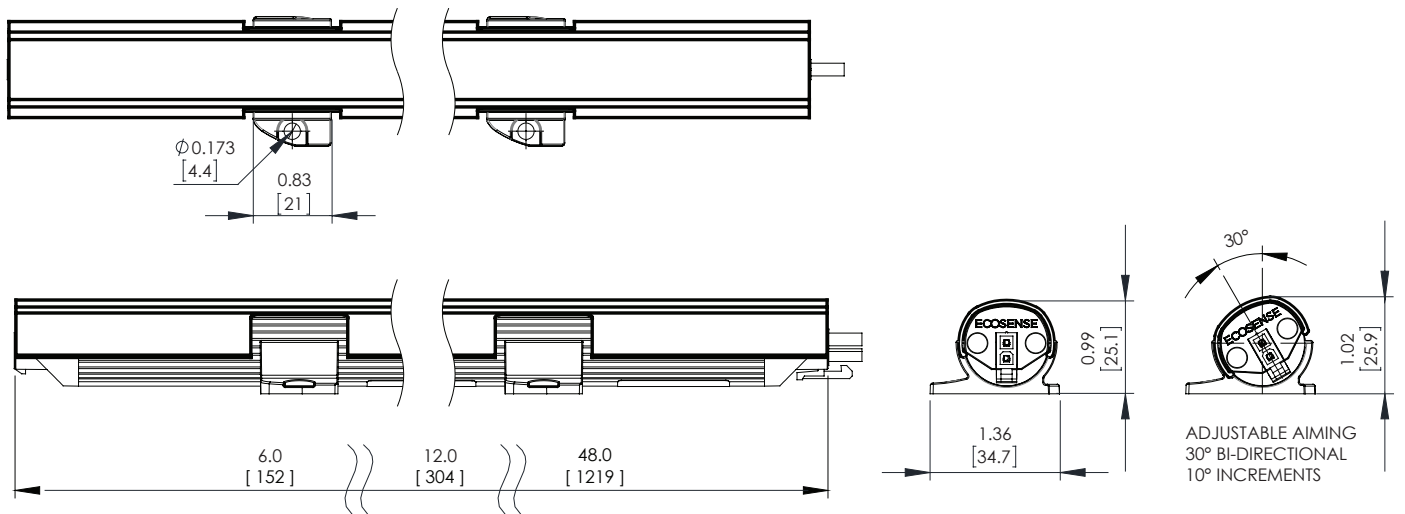
SCI	-	A	-	FRLS	-	
MODEL					LENGTH	
SCI - Slim Cove INT					06 - 6"	
					12 - 12"	
					48 - 48"	
<p>EXAMPLE: SCI* - A - FRLS - 12 (*Slim Cove Interior)</p>						

DATE _____	TYPE _____
PROJ. _____	
FIRM _____	

DIMENSIONS

For complete dimensions and submittal drawings, please visit:
ecosenselighting.com

Frosted Lens Accessory - Slim Cove INT



DIMENSION IN
 INCHES / [MM]