



EcoSense Lighting Fixtures must be installed by a qualified electrician.

EcoSense Lighting, Inc. is not responsible if its fixtures are not installed in accordance with all national and local safety standards.

INCLUDED IN BOX

Fine Adjustment L-Bracket (LFAB) Installation Guide

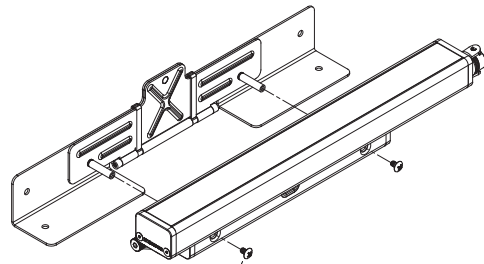
NOTE

• One LFAB required for 1ft and two required for 4ft Fixture. LFAB works the same for L35 and L50.

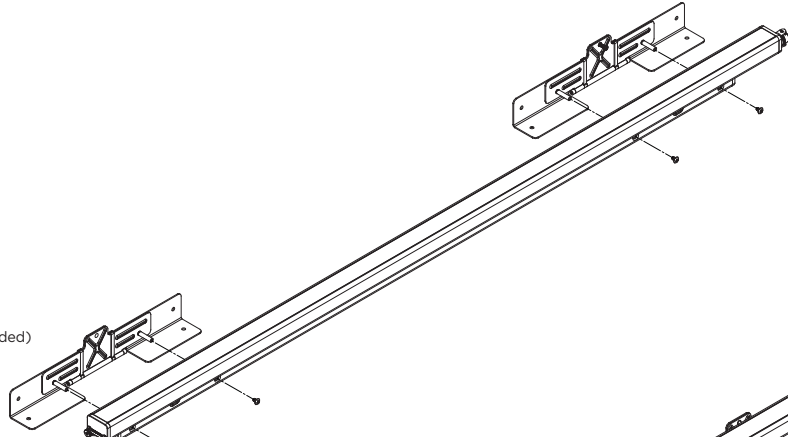
INSTALL THE FIXTURES

Step 1: Mount Fixture to LFAB(S)

- Use the #6-32 screws (2 included per LFAB)



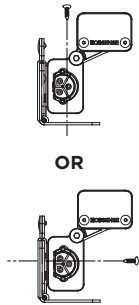
#6-32X0.25", Truss Head Phillips Screw (included)



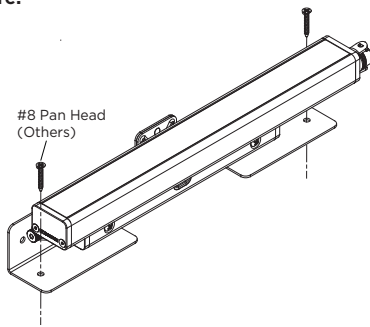
#6-32X0.25", Truss Head Phillips Screw (included)

Step 2: Mount LFAB to surface.

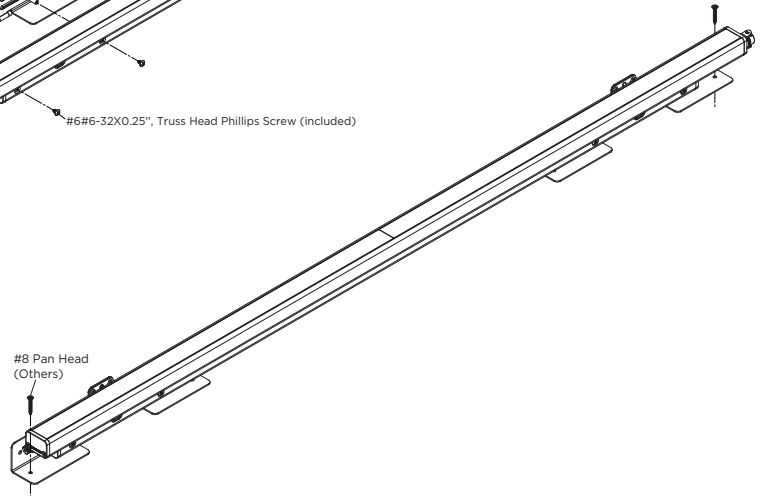
- Use 2 #8 screws per fixture.



OR



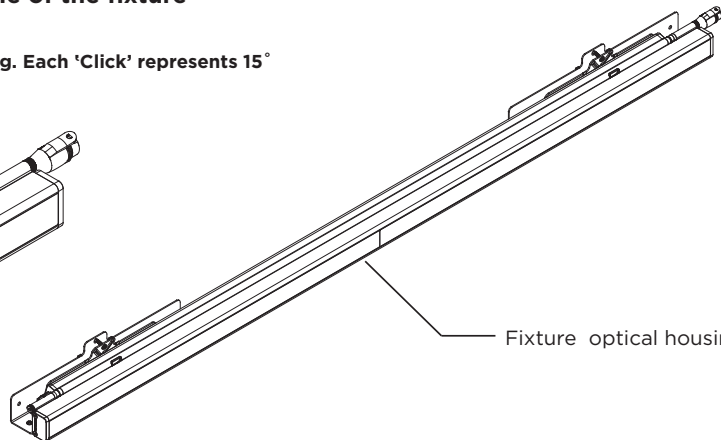
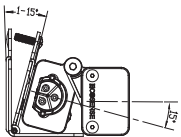
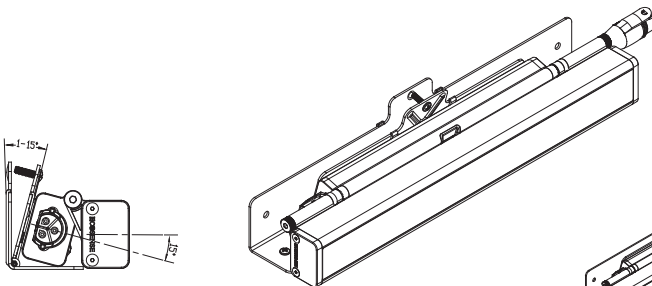
#8 Pan Head (Others)



#8 Pan Head (Others)

Step 3: Turn adjustment screw to change the angle of the fixture

- Adjusts angle from 1° to 15°
- If a greater angle is required, rotate the fixture optical housing. Each 'Click' represents 15°



Fixture optical housing

! Ensure power is OFF