



EcoSense Lighting Fixtures must be installed by a qualified electrician.

EcoSense Lighting, Inc. is not responsible if its fixtures are not installed in accordance with all national and local safety standards.

**INCLUDED IN BOX**

**Fine Adjustment Bracket (FAB) Installation Guide**

**NOTE**

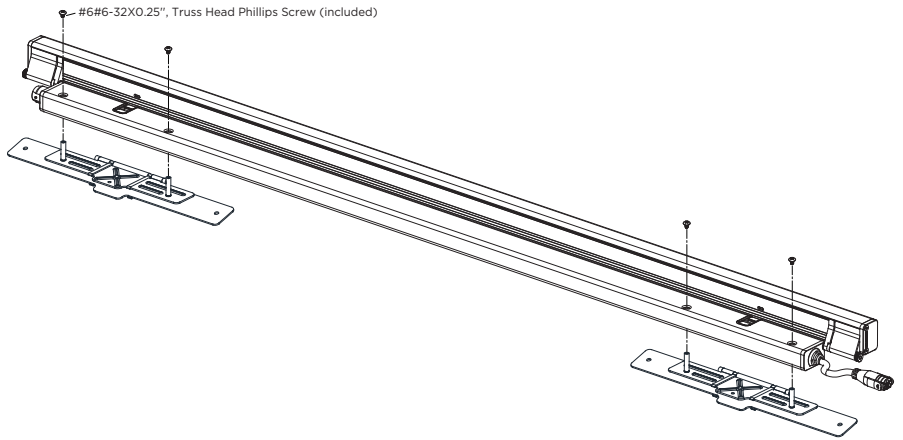
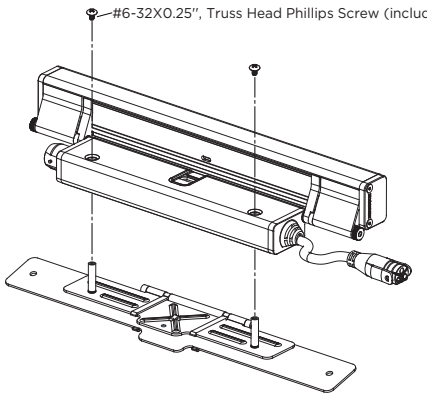
• One FAB required for 1ft and two required for 4ft Fixture. FAB works the same for L35 and L50.

**INSTALL THE FIXTURES**

**Ensure power is OFF**

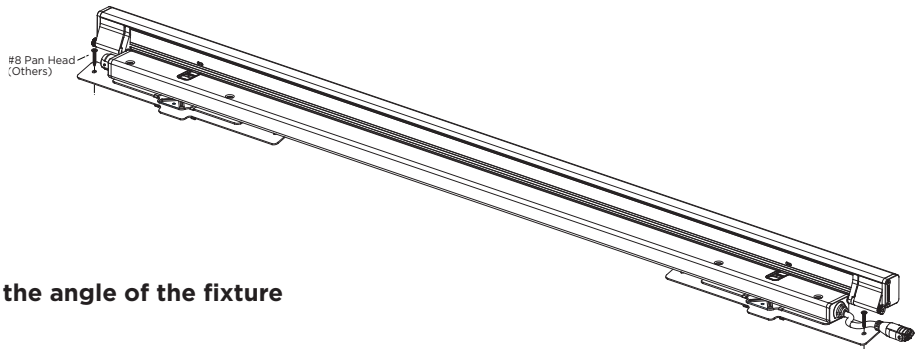
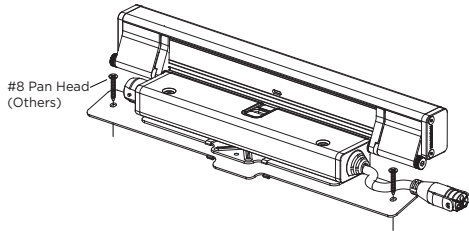
**Step 1: Mount Fixture to FAB(S)**

- Use the #6-32 screws (2 included per FAB)



**Step 2: Mount FAB to surface.**

- Use 2 #8 screws per fixture.



**Step 3: Turn adjustment screw to change the angle of the fixture**

- Adjusts angle from 1° to 15°
- If a greater angle is required, rotate the fixture optical housing. Each 'Click' represents 15°

