

FREEDOM TO CREATE™



Read the following instructions before operating the luminaire.
 Lisez les instructions suivantes avant d'utiliser le luminaire. / Lea el siguiente instructivo antes de operar el luminario.

EcoSense Lighting fixtures must be installed by a qualified electrician.

EcoSense Eclairage doit être installé par un électricien qualifié. / Las luminarias EcoSense deben ser instaladas por personal calificado.

EcoSense Lighting, Inc. is not responsible if its fixtures are not installed in accordance with all national and local safety standards.

EcoSense Lighting, Inc n'est pas responsable si son appareils ne sont pas installés conformément à toutes les normes de sécurité nationales et locales. / EcoSense Lighting, Inc. no será responsable, si sus luminarias no se instalan de acuerdo con todas las normas de seguridad nacionales y locales.

INCLUDED

Knife Edge Cove

PRE-INSTALLATION

Inspect material to verify all material has been received. Report shipping damage or missing items immediately. Organize all material by 'System' using BOM per System.

COMPONENTS SUPPLIED WITH HOUSINGS

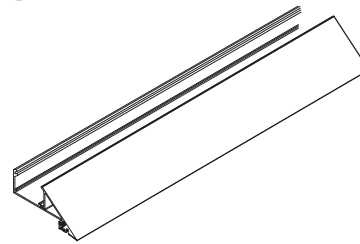


KEC-A-CON-FLAT
Flat Connector w/4 x M4 Set Screws



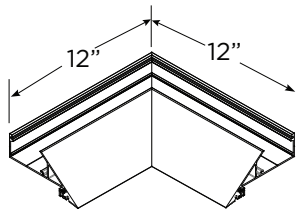
KEC-A-CON-SQR
Square Connector with 4 x M3 Screws

LINEAR HOUSING

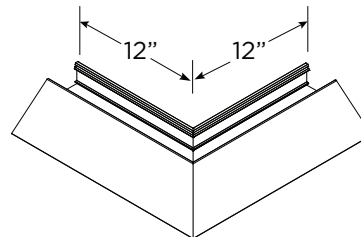


KEC-A-HSG-X (X can be any 1' length between 1' and 8')

CORNER HOUSINGS

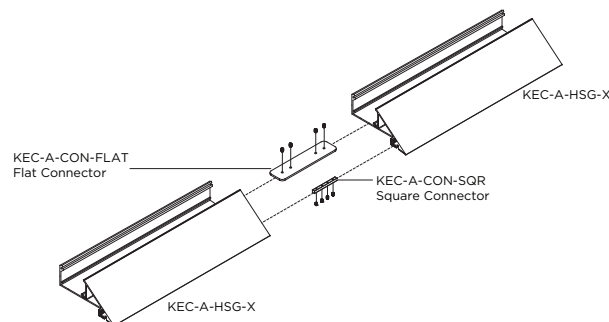


KEC-A-C90C
90° Coffered Corner (inside corner)

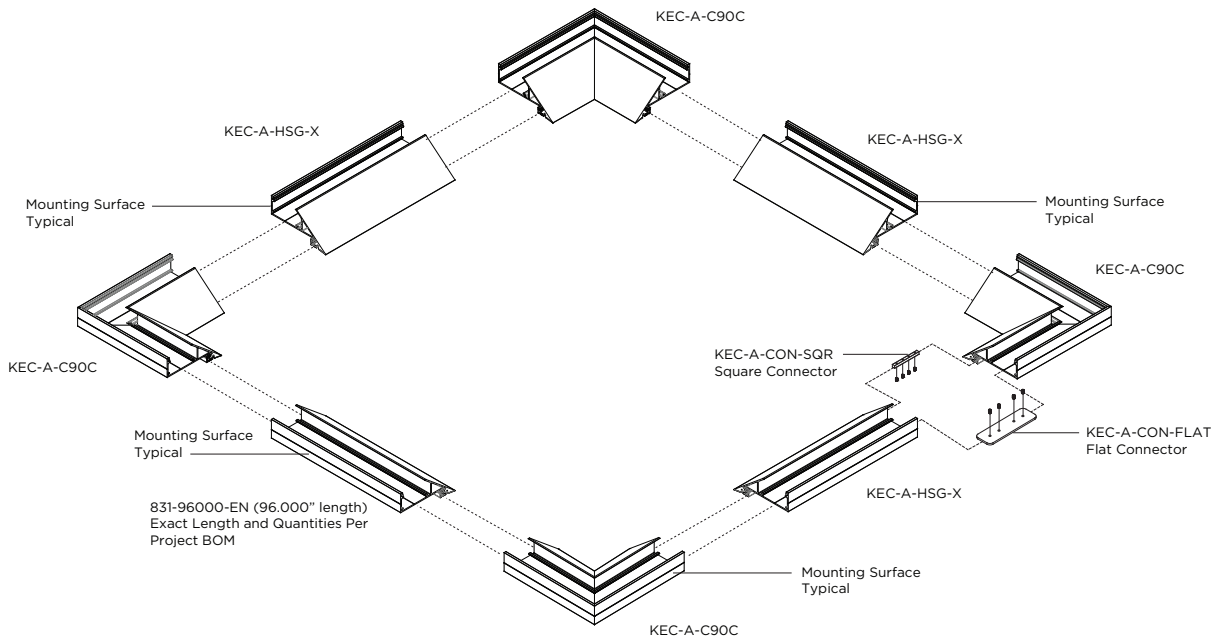


831-12000-C90R-EN
90° Raft Corner (outside corner)

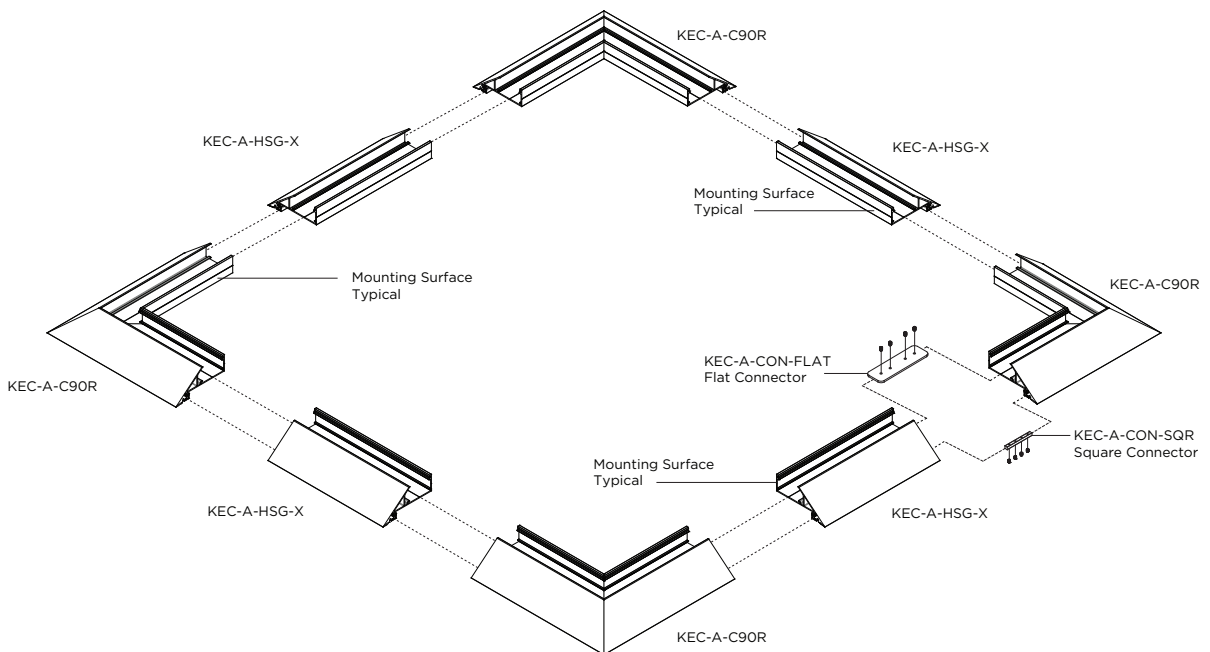
STRAIGHT LINEAR WALL TO WALL



COFFER COVE, 4 SIDED WITH COFFER CORNER (INSIDE CORNERS)



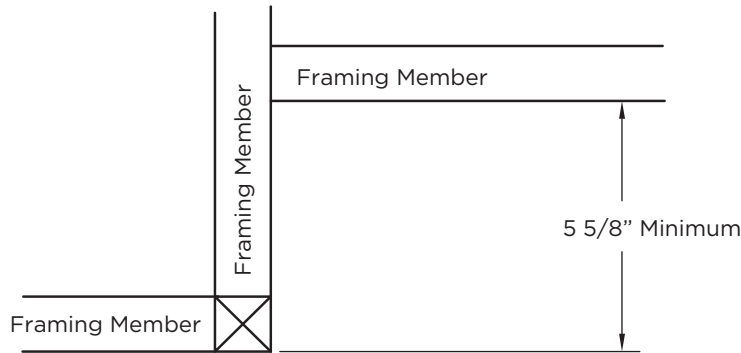
RAFT COVE, 4 SIDED WITH RAFT CORNER (OUTSIDE CORNERS)



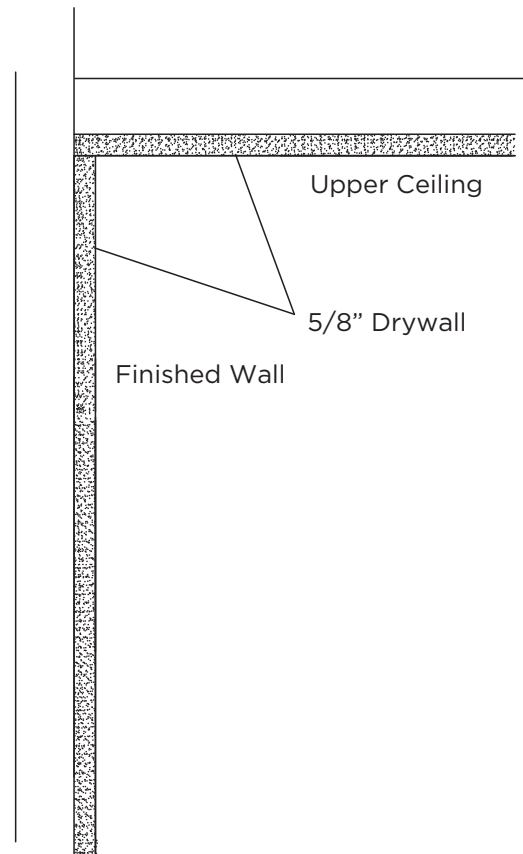
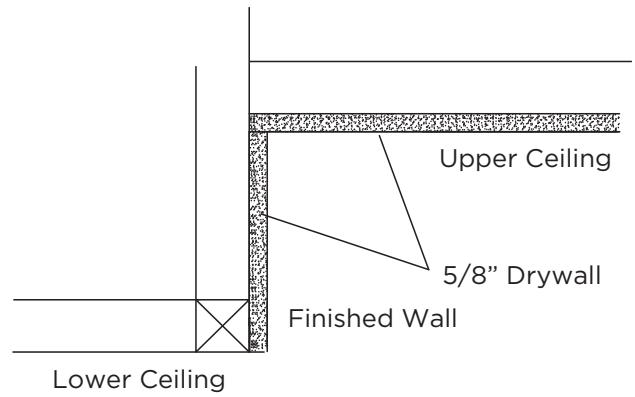
ROUGH-IN

1. Begin installation by providing rough-in wall and ceiling structure for each 'System' location.
2. Install 5/8" drywall onto upper ceiling and cove wall. Secure the Front Bezel and tighten the two screws from the back to 0.85Nm.
3. Tape and mud joints. Sand to smooth finish and apply paint primer and paint color.

FRAMING



FINISHED MOUNTING SURFACE



MOUNTING HOUSING

1. Mount housing onto finished mounting surface (cove wall) with #8 screws at 16" on center using continuous screw port located in housing. (Do not use drywall screws. Use wood or sheet metal screws).

Pre-drilling pilot hole to align with structure is recommended to simplify mounting.

Recommend starting at the end of the straight runs and at the corner for patterns.

2. Screws shall fasten to wall/ceiling building framing members. Total fixture weight is 1.5 lbs per foot.

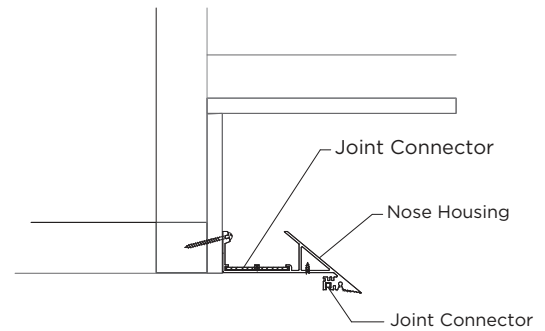
Increase weight as required to accommodate light fixtures supplied by others.

3. Mount additional housings as indicated in #3 above with the addition of sliding the pre-installed joint connector and nose alignment connector to attach joining extrusions.
4. Secure connectors in place with four set screws (two set screws on each side of the joint).
5. Install all housings within a given 'System' repeating #3 and #4 above.
6. Install 5/8" drywall to the underside of the housing and fasten with 1 1/4" drywall screw 1 7/8" from housing nose edge.
7. Apply drywall mud and mesh tape to form a smooth taper from housing nose edge to adjoining ceiling plan or wall surface. Apply multiple thin coats of mud to ensure a smooth taper.
8. Apply paint primer and paint color.

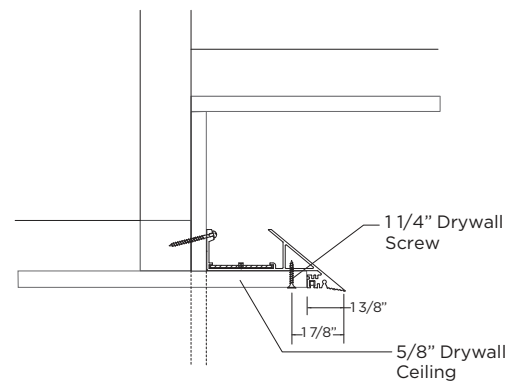
FIELD CUTTING: If cutting the housing extrusion in the field use a non-ferrous blade.

IMPORTANT: Housing lengths are based on finished mounting surface dimensions as approved on submittal drawings. Any deviation in the finished mounting surface dimension will result in housings being too long or too short. If this occurs new housings will need to be ordered with the exact length required to complete the "System(s)".

ATTACHING HOUSING TO MOUNTING SURFACE



DRYWALL INSTALLATION UNDER HOUSING



DRYWALL MUD SKIM COAT

