

Install the Fixtures

EcoSpec® Linear HP INT Wall Wash EcoSpec® Linear HP INT Wall Wash Mono-Color

Installation Considerations

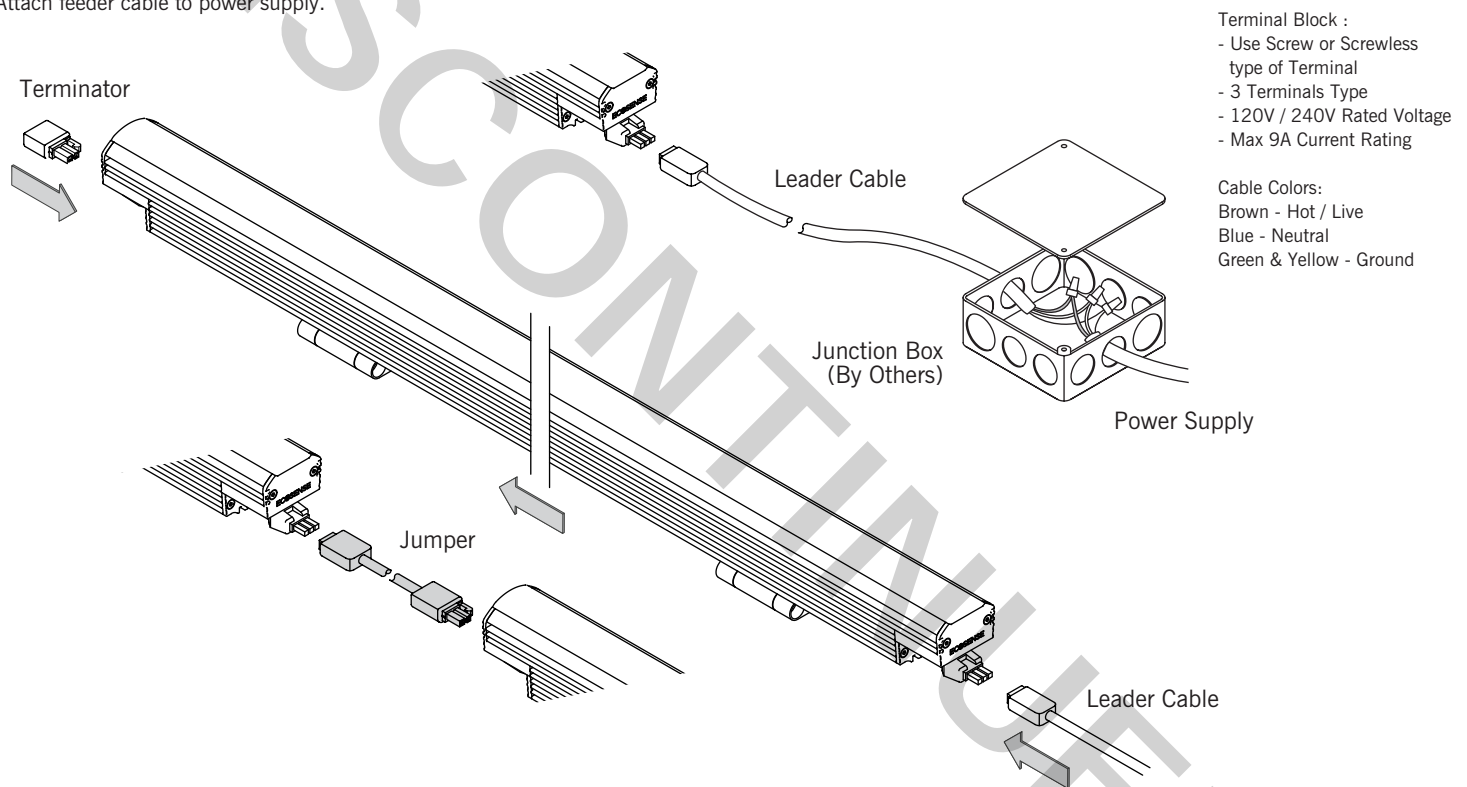
Power Consumption (Max)	White: 18.5 watts (1ft) / 74 watts (4ft) Green: 18.5 watts (1ft) / 74 watts (4ft) ; Blue: 17 watts (1ft) / 68 watts (4ft) Red & Amber: 12.5 watts (1ft) / 50W watts (4ft)
Operating Temperature	14°F to 104°F (-10°C to 40°C)
Operating Voltage	220-240 VAC, 50-60Hz
Rating	IP40
Weight	1.54 lbs/0.7 kg (1ft) / 6.17 lbs/2.8 kg (4ft)
Dimensions	W 2.9" x H 2.5" x L 12"/48" / (74.1mm x 62.5mm x 304/1,219mm)



Ensure power is OFF

Connect Fixtures and Power

From the leader cable, attach fixtures in-line, end-to-end. Use jumper cable to create space between fixtures. Use terminator in last fixture in each run. Attach feeder cable to power supply.



- Read and understand the installation instructions before attempting to install or use the fixture.
- Only use fixtures with voltage for which it is rated. Do not exceed the specified voltage and current input.
- Do not use fixture if the housing, lens, or power cable are damaged.
- Fixtures have line voltage risk of shock and no user serviceable parts. Do not attempt to open.
- Do not hot swap. Ensure that power is off before connecting or disconnecting fixtures in the series.
- Ensure that main power supply is off before installing or wiring a fixture.
- LED Radiation. Do not view directly with optical instruments. Class 1M LED Product
- Polycarbonate Chemical Warning:
Please contact an EcoSense sales representative for a complete list of chemicals that can cause damage to polycarbonate lenses and silicone gaskets. EcoSense must not be held responsible for damage to, or failure of, fixtures where any of these, or chemicals of similar nature and makeup, are applied intentionally or inadvertently to EcoSense's fixtures.
- Earth leakage Statement:
Please contact an EcoSense factory representative for full information on the earth leakage properties of EcoSpec fixtures when installed according to all local electrical codes and proper installation techniques.
- EcoSense Inrush Current Statement:
Please contact an EcoSense Lighting sales representative for a complete list of Inrush Current Peak (A) at specific product Voltage, and Inrush Current Duration/Width (ms), for each EcoSense product.