



Fixtures must be installed by a qualified electrician.

EcoSense Lighting, Inc. is not responsible if its fixtures are not installed in accordance with all national and local safety standards.

INCLUDED IN BOX

EcoSpec Cove
Installation Guide
2 Flat Fixed Brackets
(10-A-MNT-FLAT)



ADDITIONAL ITEMS NEEDED

10' Leader Cable:*/**
EXT-A-CBL-120-10

OPTIONAL ITEMS

Jumpers, 1- or 5-ft:
EXT-A-JMP-120-1
EXT-A-JMP-120-5

Mounting Brackets
11-A-MNT-ADJ

* One (1) terminator is included standard with each Leader Cable

** The 120VAC (UL) Accessory Cables are also rated for 277VAC use

ECOSENSE LIGHTING INC

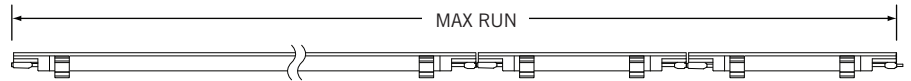
80 Broad Street, 5th Floor
New York, NY 10004
www.ecosenselighting.com

PHONE 212.228.8118
FAX 212.228.9113
TOLL 855.632.6736
855.6.ECOSEN

Plan the Installation

Verify the Electrical Plan

Maximum run: 50ft (15m) max (120V) / 120ft (40m) max (277V) per 10'-0" leader cable

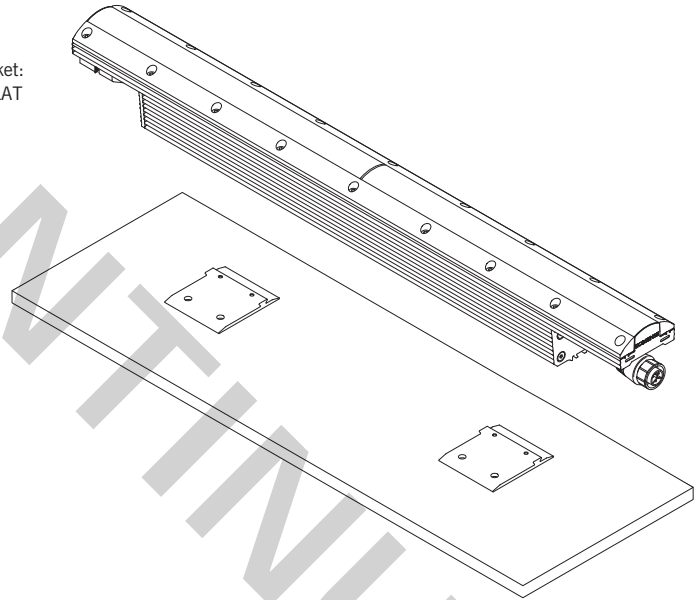


Select Mounting Option

Choose method best suited for mounting surface and installation application. All methods work with either the stationary or adjustable mounting bracket.

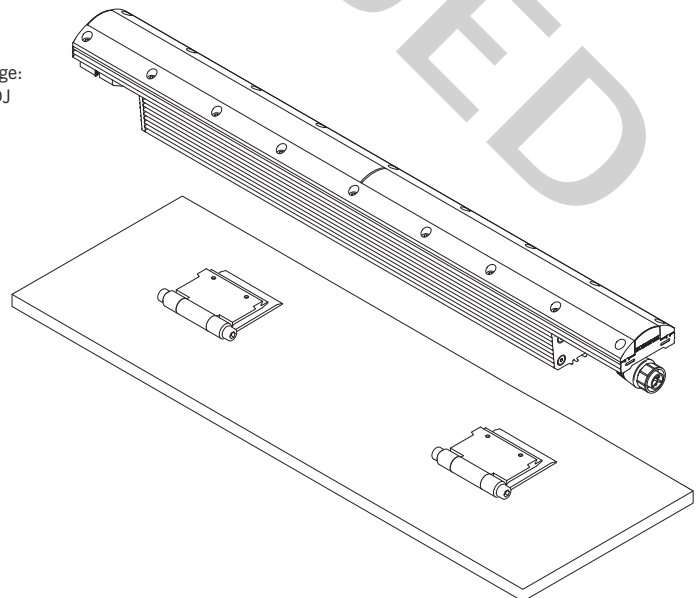
A

Mount with flat fixed bracket:
10-A-MNT-FLAT



B

Mount with adjustable hinge:
11-A-MNT-ADJ



Install the Fixtures

EcoSpec® Linear HP EXT Wall Wash EcoSpec® Linear HP EXT Wall Wash Mono-Color

Installation Considerations

Power Consumption (Max)	White: 17 watts (1ft) / 34 watts (2ft) / 51 watts (3ft) / 68 watts (4ft) Mono Color: 17 watts (1ft) / 34 watts (2ft) / 51 watts (3ft) / 68 watts (4ft)
Operating Temperature	Not exceeding 122°F (50°C)
Operating Voltage#	100 – 120VAC, 277VAC, 50-60Hz
Rating	Wet Location
Weight	1.1kg (1ft) / 2.3kg (2ft) / 3.5kg (3ft) / 4.7kg (4ft) approx.
Dimensions	W2.4" x H2.7" x L 12"/ 24"/ 36"/ 48"/ 60mm x 67.7mm x 304.8mm/609mm/914mm/1219mm)

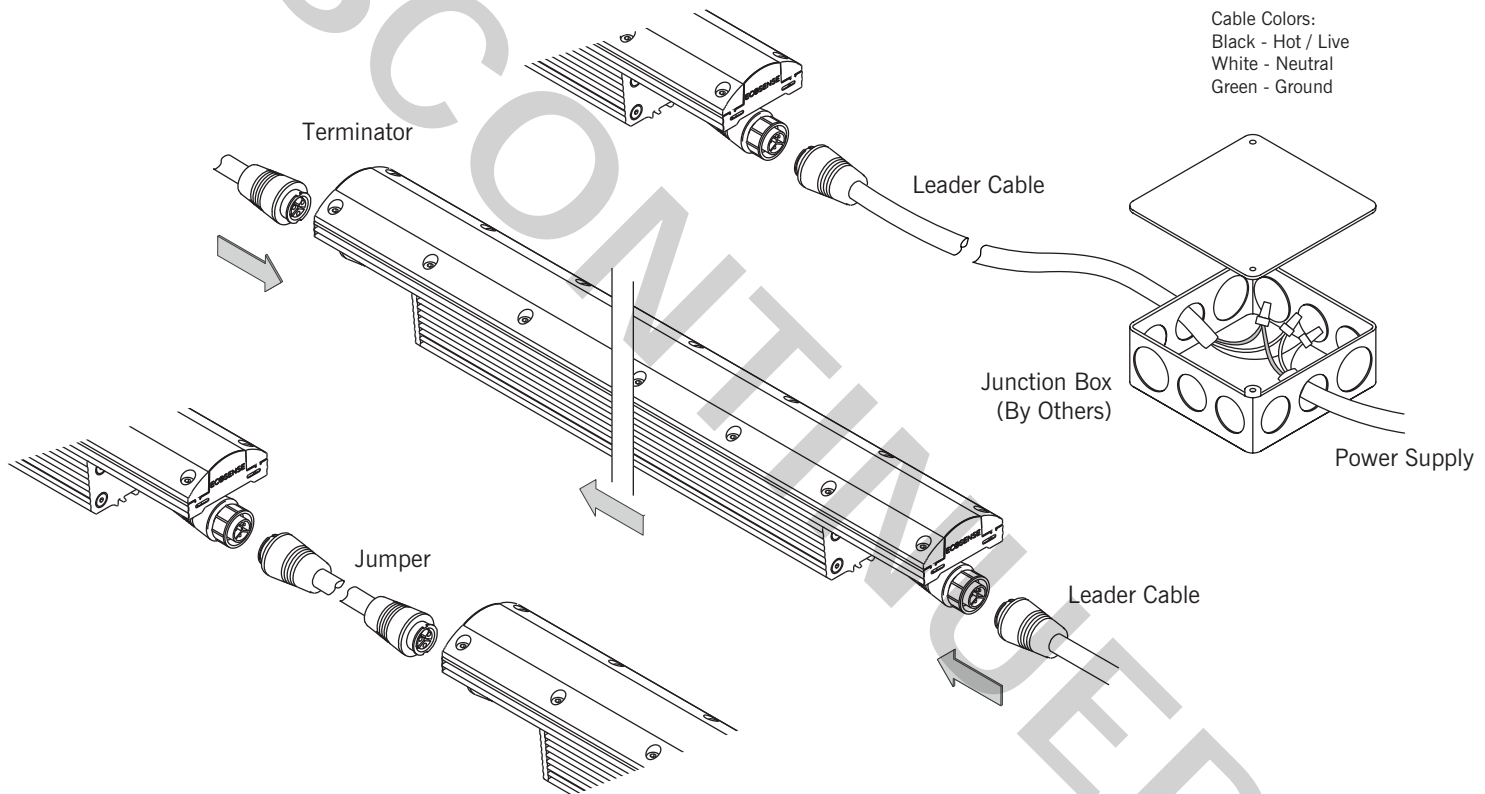
11LC-XX-YY-120-ZZ and 11LC-XX-YY-277-ZZ represent 100-120Vac and 277Vac input voltage respectively, where XX, YY, ZZ represent length, CCT and optic respectively.



Ensure power is OFF

Connect Fixtures and Power

From the leader cable, attach fixtures in-line, end-to-end. Use jumper cable to create space between fixtures. Use terminator in last fixture in each run. Attach feeder cables to power supply.



Remarks:

The user/installer shall provide a UL compliant junction box, strain relief and metal conduit to meet the installation requirements for the electrical connection



- Read and understand the installation instructions before attempting to install or use the fixture.
- Only use fixtures with voltage for which it is rated. Do not exceed the specified voltage and current input.
- Do not use fixture if the housing, lens, or power cable are damaged.
- Fixtures have line voltage risk of shock and no user serviceable parts. Do not attempt to open.
- Do not hot swap. Ensure that power is off before connecting or disconnecting fixtures in the series.
- Ensure that main power supply is off before installing or wiring a fixture.
- LED Radiation. Do not view directly with optical instruments. Class 1M LED Product
- Polycarbonate Chemical Warning:
Please contact an EcoSense sales representative for a complete list of chemicals that can cause damage to polycarbonate lenses and silicone gaskets. EcoSense must not be held responsible for damage to, or failure of, fixtures where any of these, or chemicals of similar nature and makeup, are applied intentionally or inadvertently to EcoSense's fixtures.