



EcoSense Lighting Fixtures must be installed by a qualified electrician.

EcoSense Lighting, Inc. is not responsible if its fixtures are not installed in accordance with all national and local safety standards.

INCLUDED IN BOX

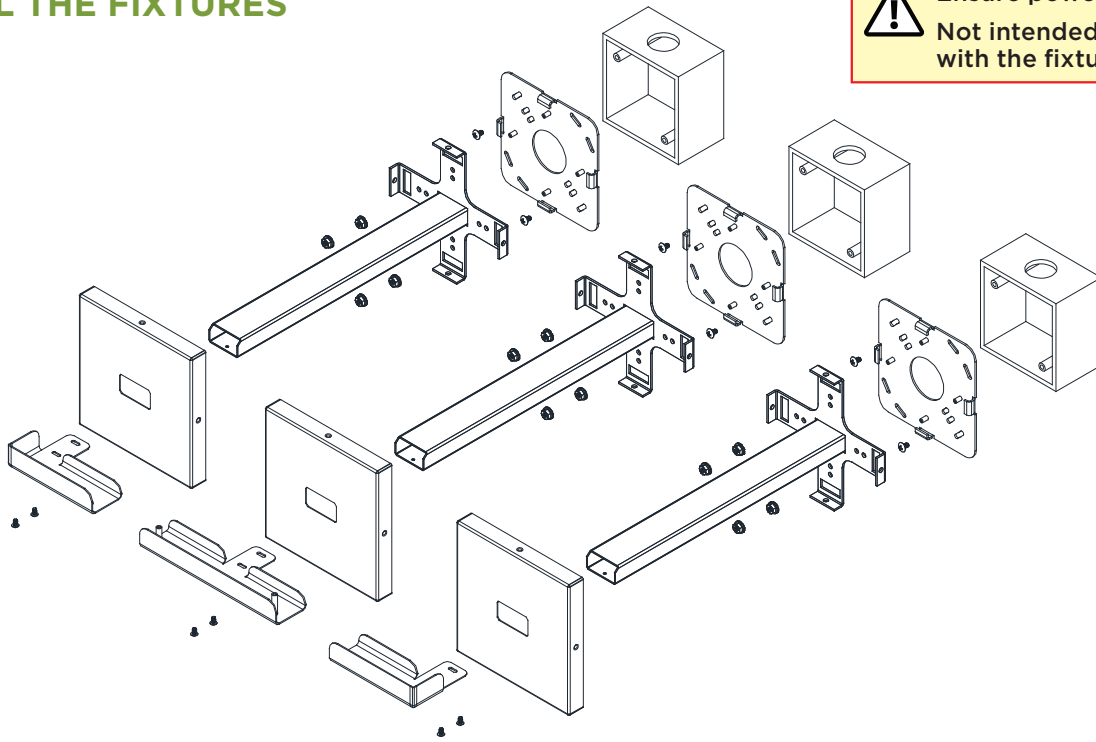
**Wall Mount Arm
Installation Guide**

NOTE

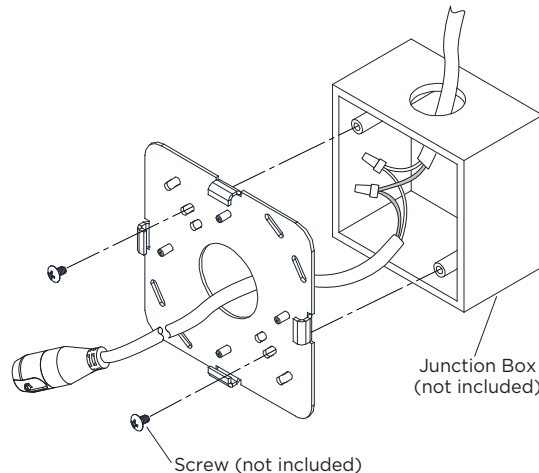
• The Wall Mount Arm system works the same with L35 and L50. For individual fixture installations two arms and one end set will be needed per fixture. For continuous run installation one endset will be needed per run. Each end set contains one left and one right end plate. One joining set will be needed per joint. One arm per fixture will be need plus one extra arm to complete the run. For example: A 10ft run made with two 4ft and two 1ft fixtures will contain; 1 x WMA-L-END, 3 x WMA-L-JNR, and 5 x WMA-L-CA-12. Leader cables are not included with wall mount arms, end sets, or joiners sets.

INSTALL THE FIXTURES

**Ensure power is OFF.
Not intended for wet conditions
with the fixtures aiming up.**



Step 1: Determine which end of the leader cable will be needed to power the first fixture in the run. Then cut off the other end and prepare the wires to be spliced. Splice the wires to the building wire in the junction box. Screw the mounting plate to the junction box.

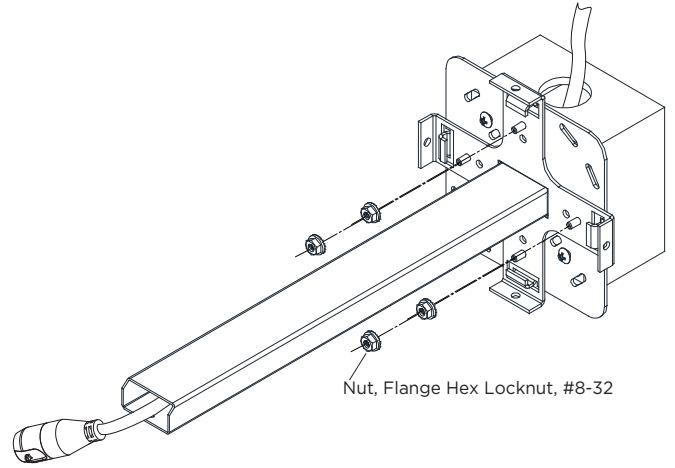
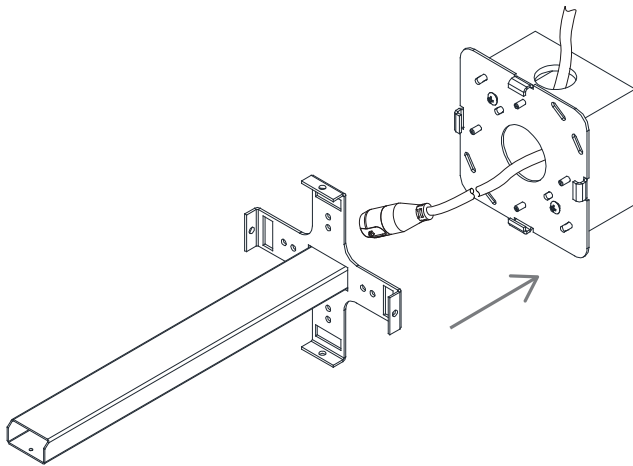


INSTALL THE FIXTURES

**⚠ Ensure power is OFF.
Not intended for wet conditions with the fixtures aiming up.**

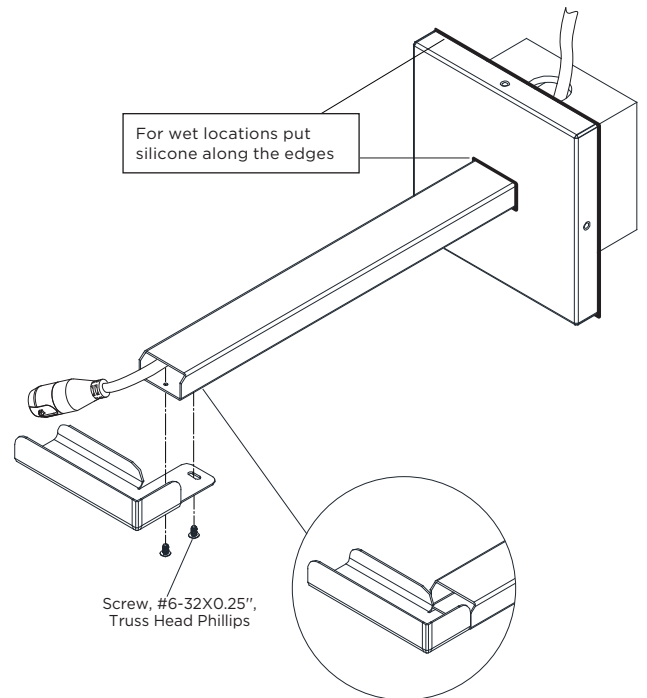
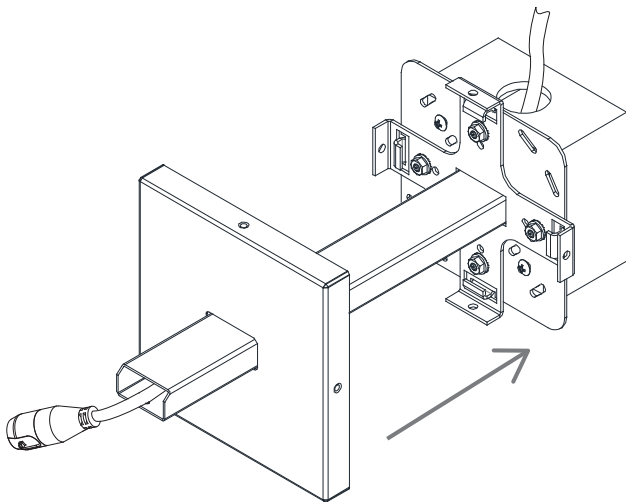
Step 2: Hook the wall mount arm to the mounting plate.

- Run the leader cable through the mounting arm and make the wire connection to the building wires in the junction box.
- Mount the arm to the plate using the studs on the plate and the nuts provided.




Step 3: Slide the wall mount cover into place.

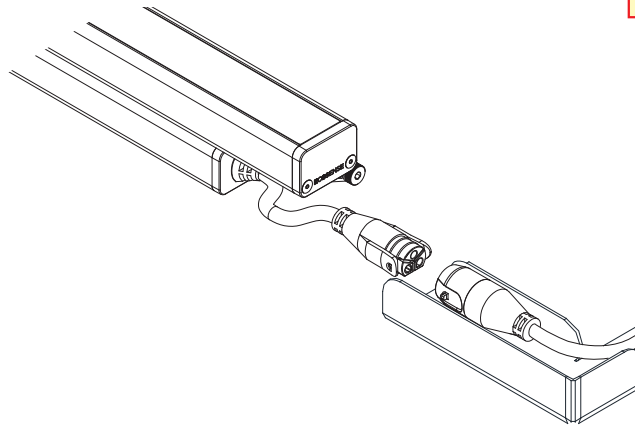
Step 4: Screw the end plates and joining plates to the arms.



INSTALL THE FIXTURES

Step 5: Connect leader cable to the first fixture and mount the fixture to the plate.

 **Ensure power is OFF.**
Not intended for wet conditions with the fixtures aiming up.



Step 6: Connect the next fixtures connector and mount to the remaining plates.

