

8 7 6 5 4 3 2 1

D

C

B

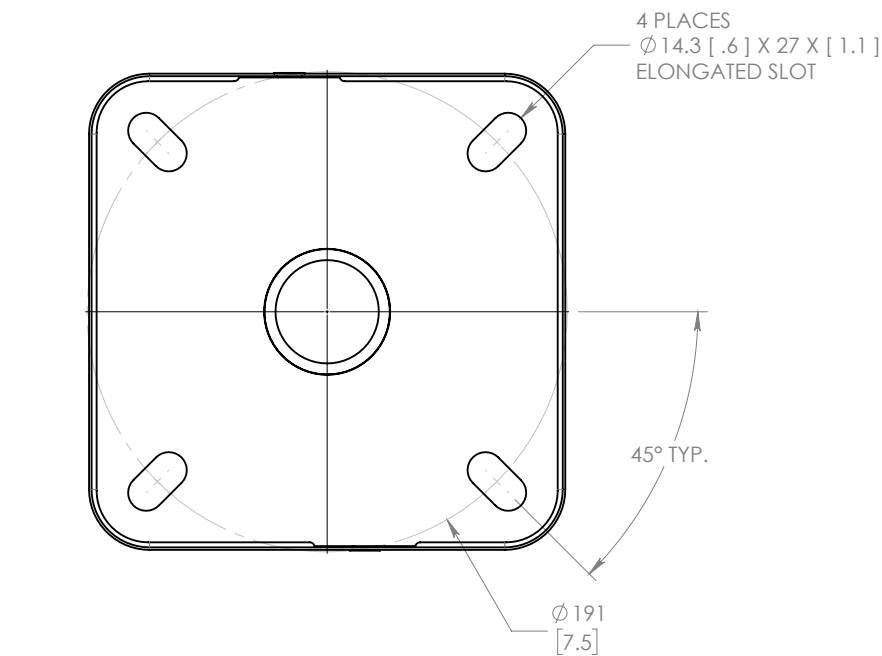
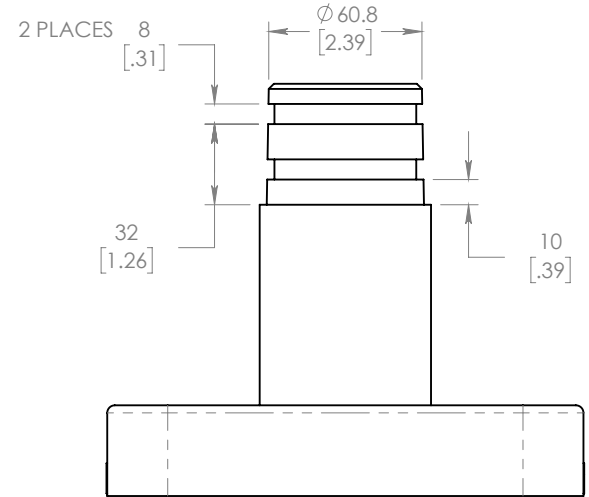
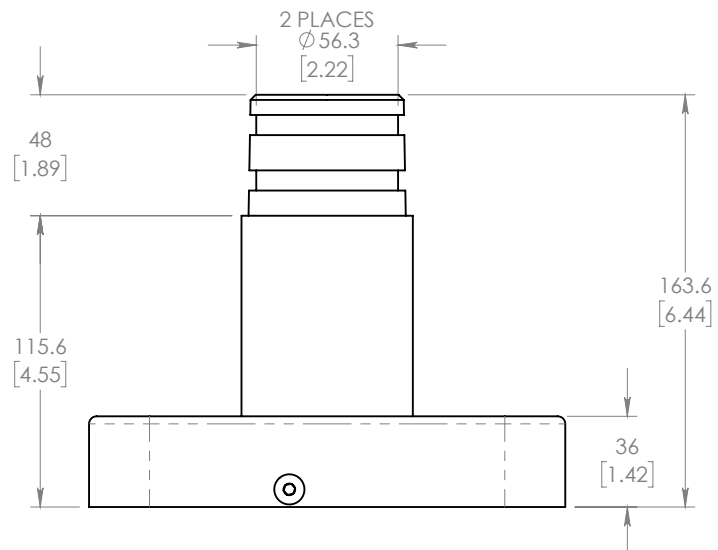
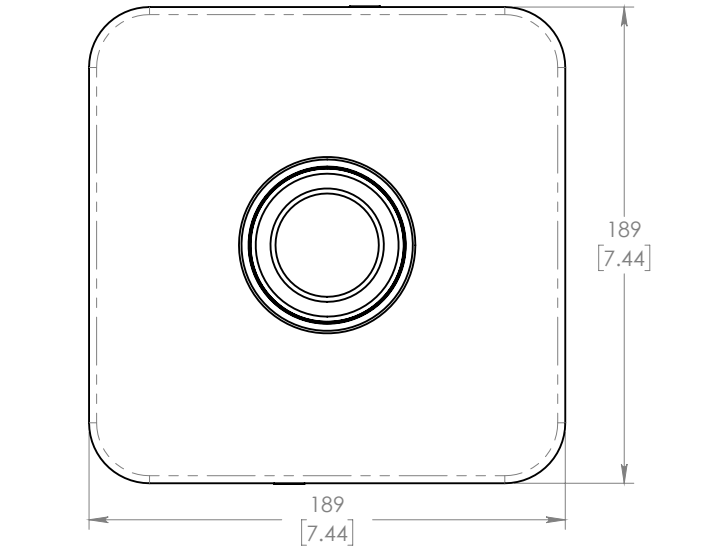
A

D

C

B

A



COVER PLATE

TENON MOUNT

2 PLACES  
M6 X 1.0mm SCREW

BOTTOM GASKET

5

<b>PROPRIETARY AND CONFIDENTIAL</b> THE INFORMATION CONTAINED IN THIS DRAWING IS THE SOLE PROPERTY OF ECOSENSE LIGHTING, INC. ANY REPRODUCTION IN PART OR AS A WHOLE WITHOUT THE WRITTEN PERMISSION OF ECOSENSE LIGHTING IS PROHIBITED. © 2016 ECOSENSE LIGHTING, INC.	UNLESS OTHERWISE SPECIFIED				
	DIMENSIONS ARE IN MILLIMETERS	<b>TENON MOUNT</b>			
	TOLERANCES PER DIN ISO 2768 T1 CLASS M (MEDIUM)	DRAWN BY <b>J. HAWKINS</b>	DATE DRAWN <b>04/24/2017</b>	DRAWING NUMBER -	REV -
	INTERPRET GEOMETRIC TOLERANCING PER: ASME Y14.5	PROJECT ENGINEER -	THIRD ANGLE PROJECTION	SIZE <b>B</b>	SCALE <b>1:3</b>
				SHEET <b>1 OF 1</b>	

8 7 6 5 4 3 2 1