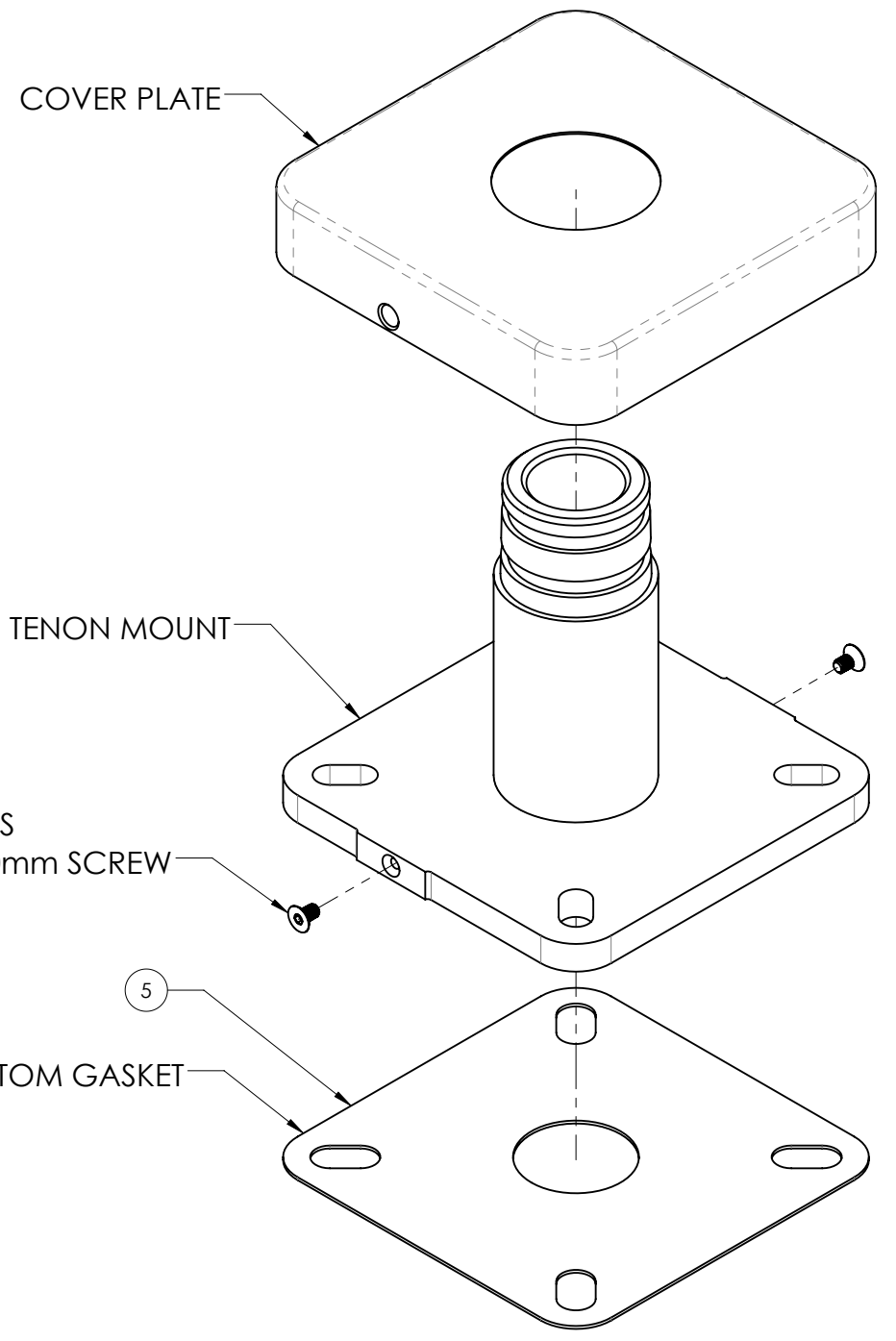
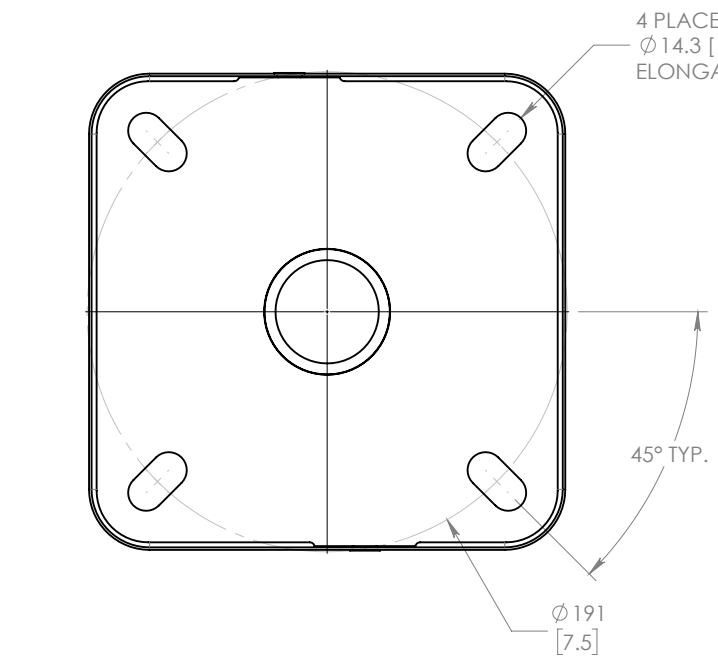
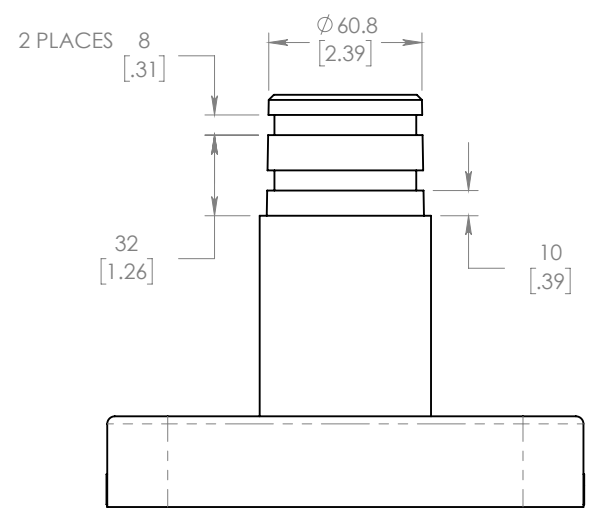
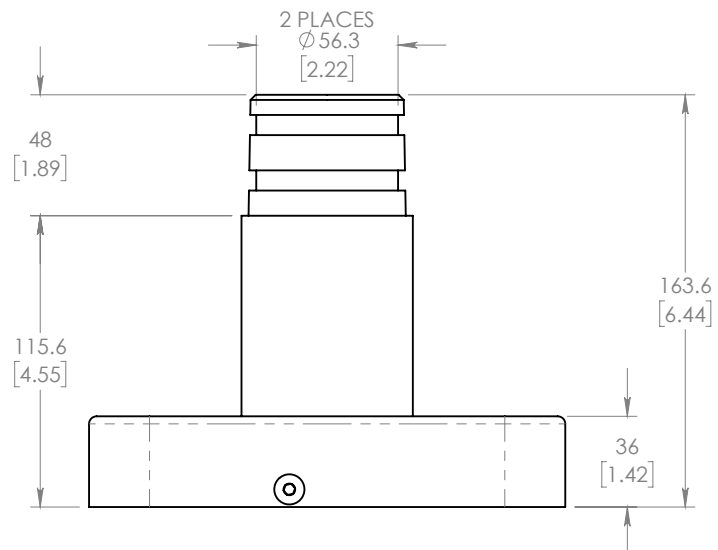
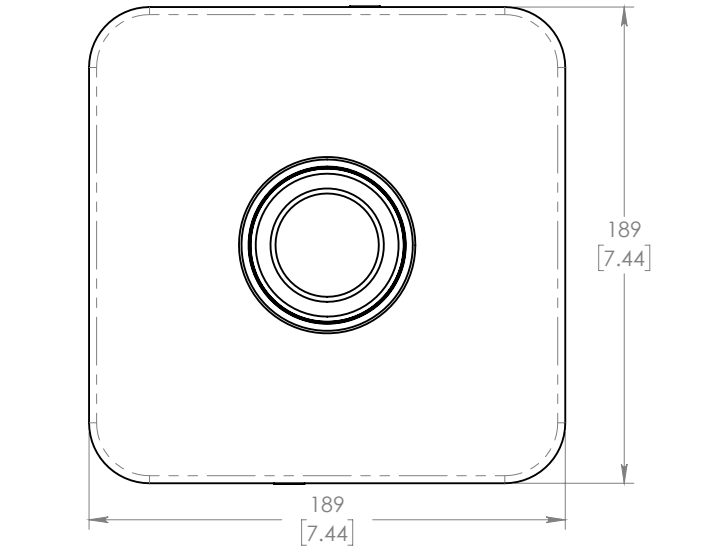


8 7 6 5 4 3 2 1

D
C
B
A

D
C
B
A



PROPRIETARY AND CONFIDENTIAL THE INFORMATION CONTAINED IN THIS DRAWING IS THE SOLE PROPERTY OF ECOSENSE LIGHTING, INC. ANY REPRODUCTION IN PART OR AS A WHOLE WITHOUT THE WRITTEN PERMISSION OF ECOSENSE LIGHTING IS PROHIBITED. © 2016 ECOSENSE LIGHTING, INC.	UNLESS OTHERWISE SPECIFIED				
	DIMENSIONS ARE IN MILLIMETERS	TENON MOUNT			
	TOLERANCES PER DIN ISO 2768 T1 CLASS M (MEDIUM)	DRAWN BY J. HAWKINS	DATE DRAWN 04/24/2017	DRAWING NUMBER -	REV -
	INTERPRET GEOMETRIC TOLERANCING PER: ASME Y14.5	PROJECT ENGINEER -	THIRD ANGLE PROJECTION	SIZE B	SCALE 1:3
				SHEET 1 OF 1	

8 7 6 5 4 3 2 1