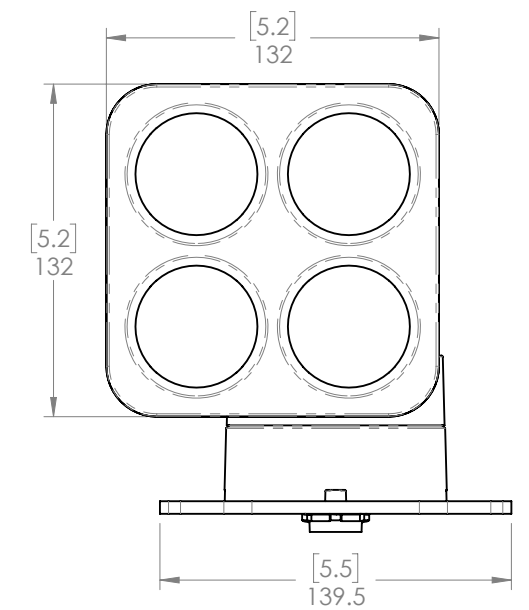
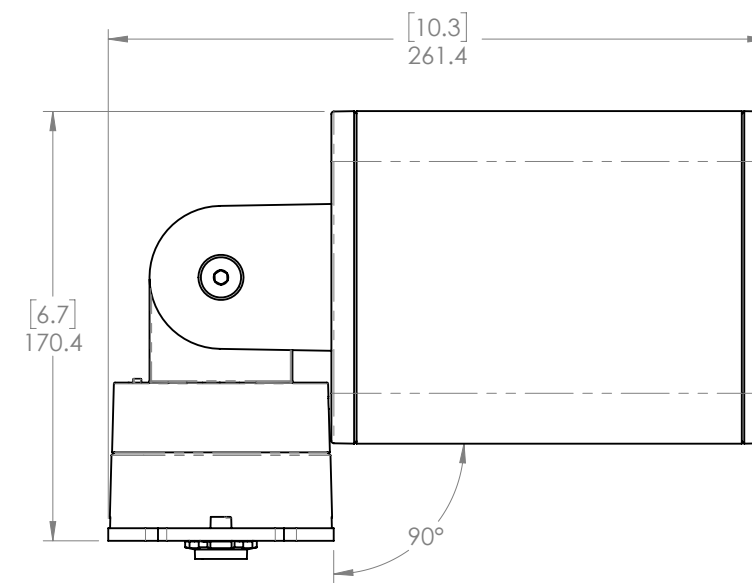
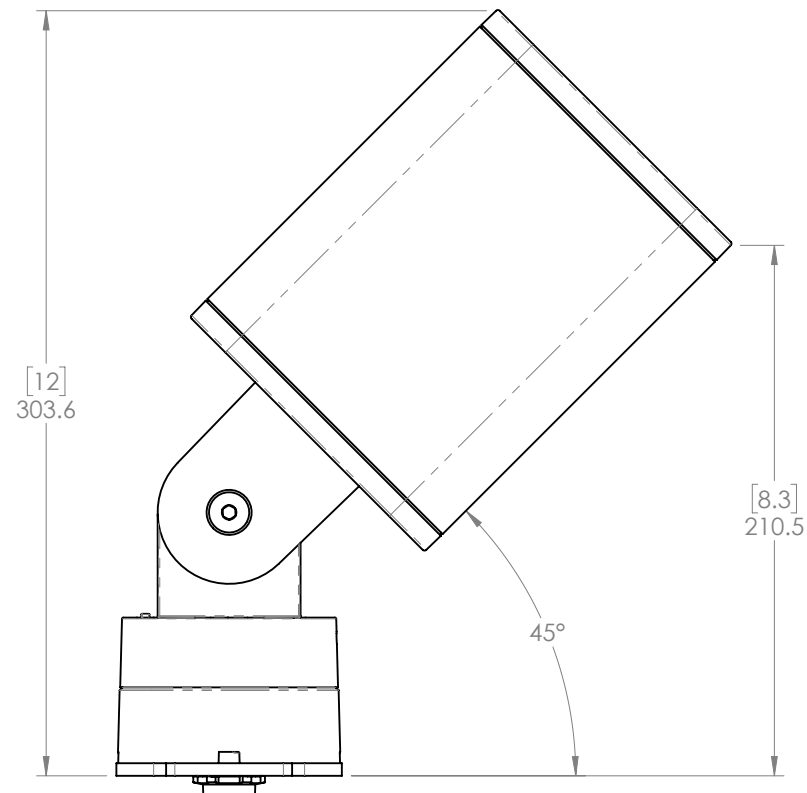
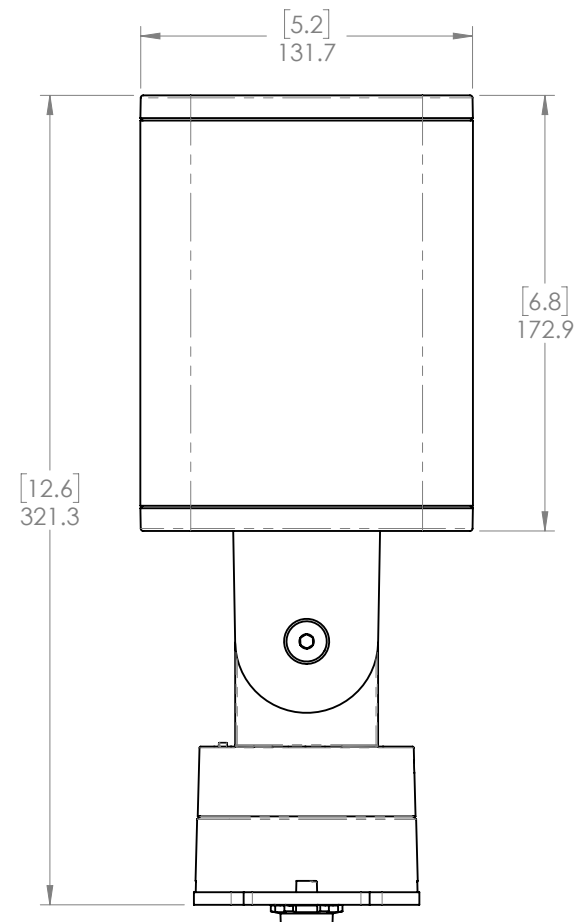
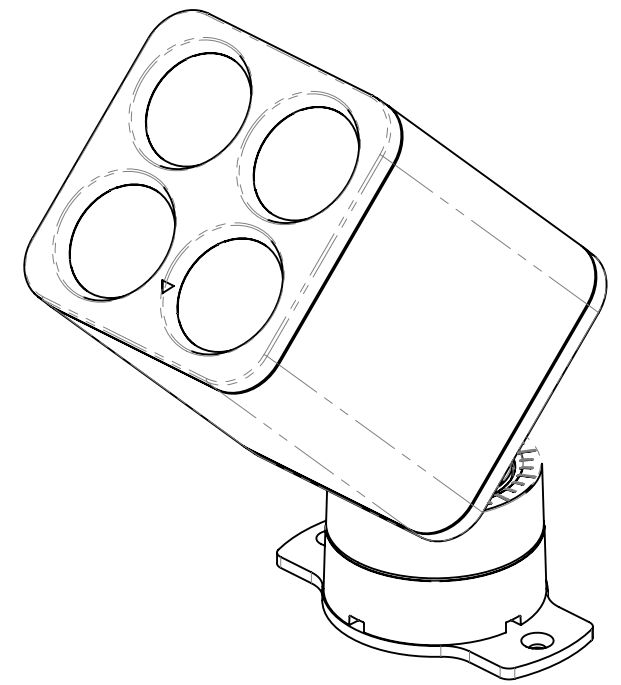
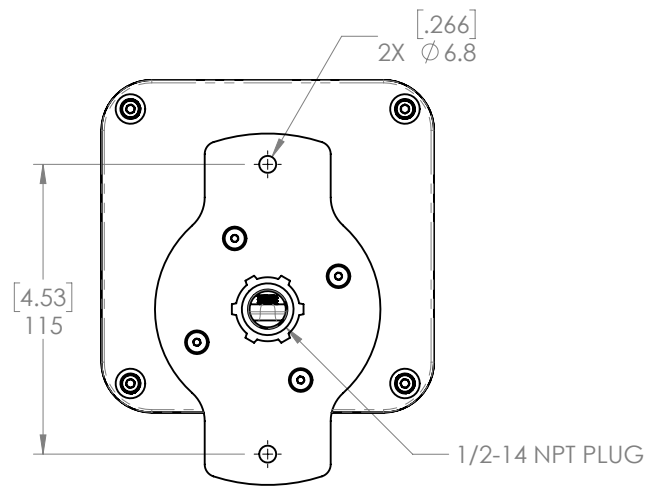


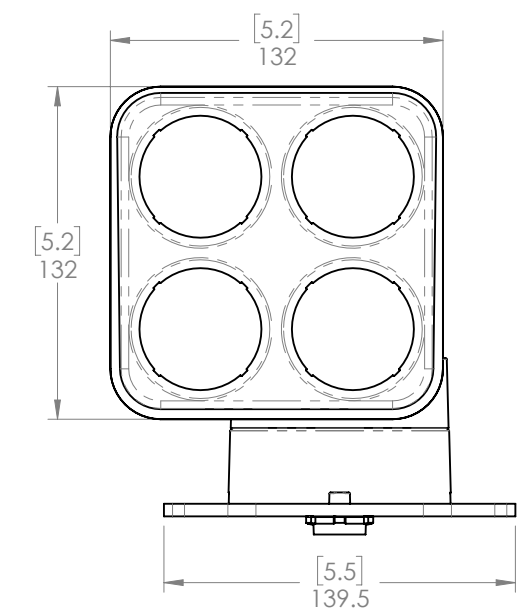
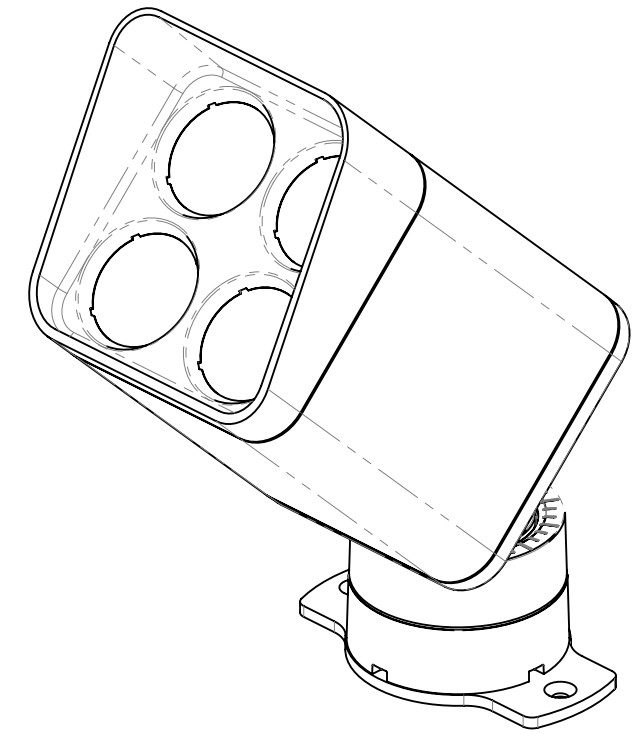
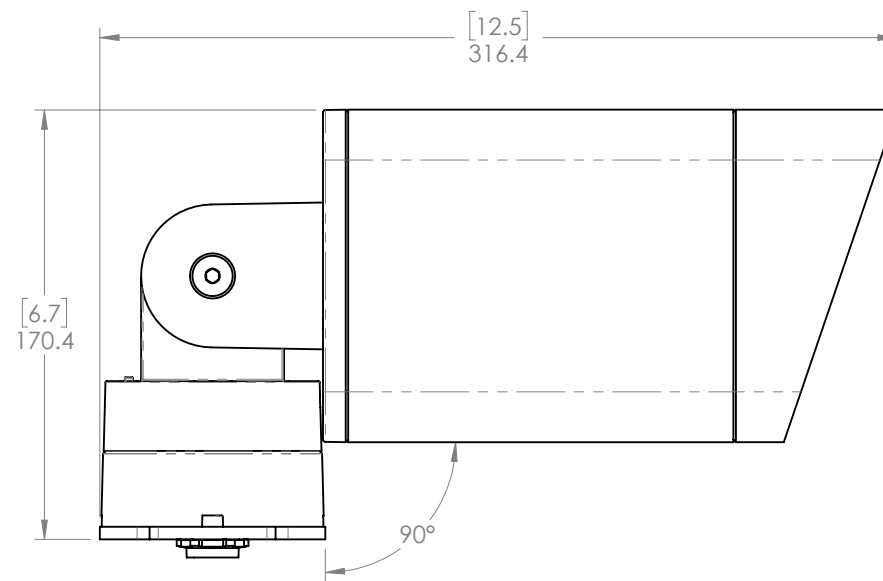
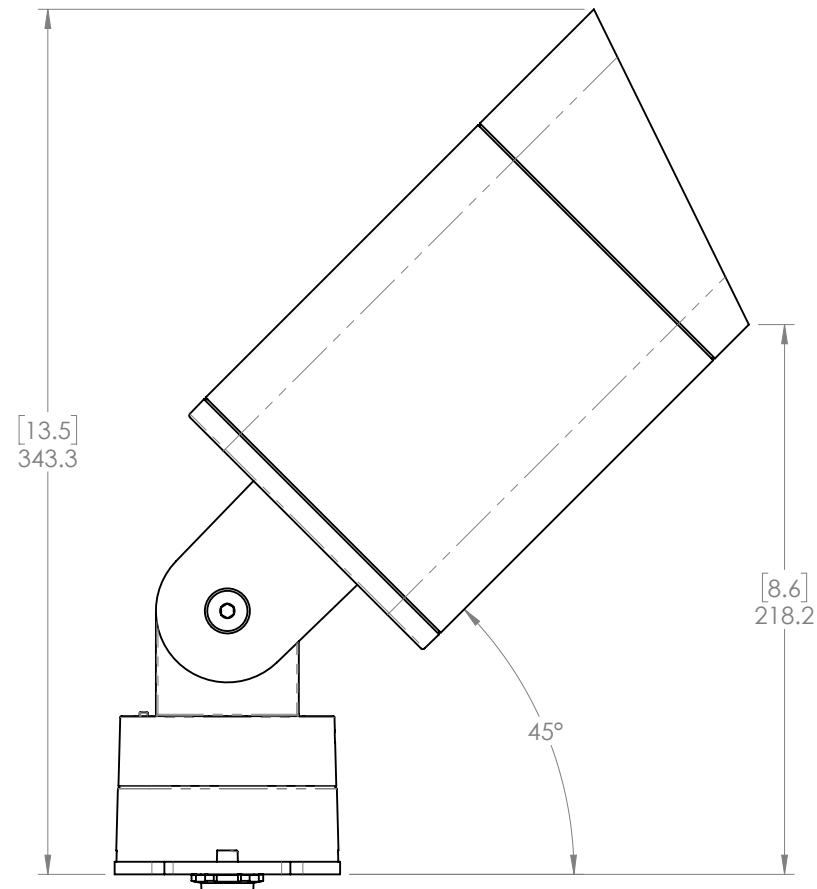
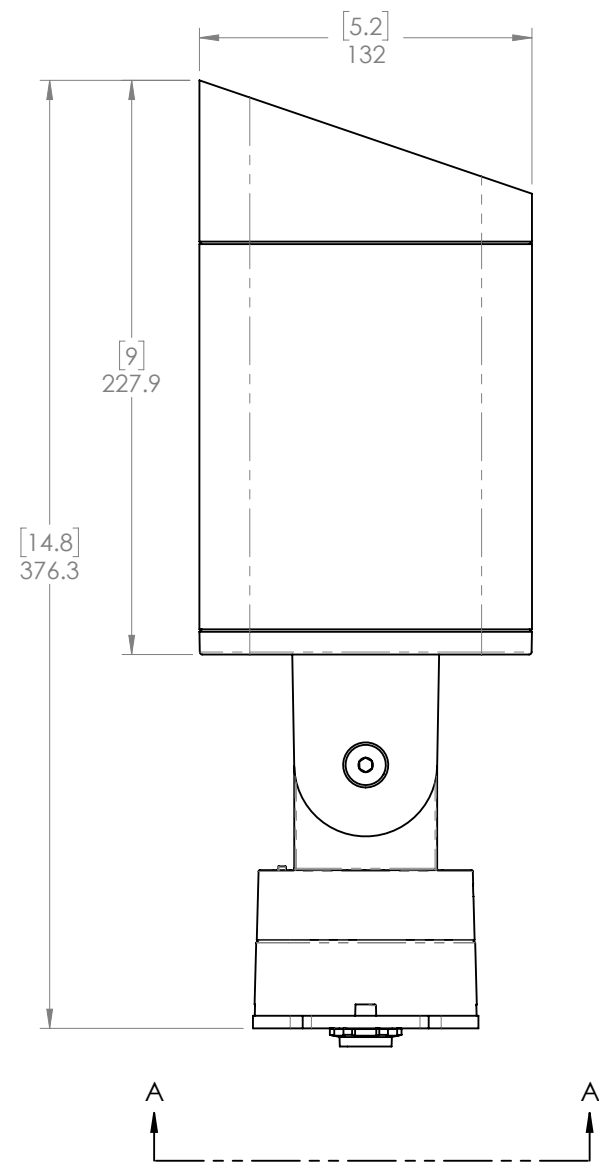
VIEW A-A
(BOTTOM VIEW)



<p>PROPRIETARY AND CONFIDENTIAL</p> <p>THE INFORMATION CONTAINED IN THIS DRAWING IS THE SOLE PROPERTY OF ECOSENSE LIGHTING, INC. ANY REPRODUCTION IN PART OR AS A WHOLE WITHOUT THE WRITTEN PERMISSION OF ECOSENSE LIGHTING IS PROHIBITED. © 2017 ECOSENSE LIGHTING, INC.</p>	UNLESS OTHERWISE SPECIFIED				
	DIMENSIONS ARE IN MILLIMETERS	<p>TITLE</p> <p>RISE F170 SINGLE (EC BASE)</p>			
	TOLERANCES PER DIN ISO 2768 T1 CLASS M (MEDIUM)	DRAWN BY		DATE DRAWN	DRAWING NUMBER
INTERPRET GEOMETRIC TOLERANCING PER: ASME Y14.5	J. HAWKINS		06/12/2017		
	PROJECT ENGINEER		THIRD ANGLE PROJECTION	SIZE	SHEET
				B	1 OF 3
			SCALE	1:3	



VIEW A-A
(BOTTOM VIEW)



PROPRIETARY AND CONFIDENTIAL

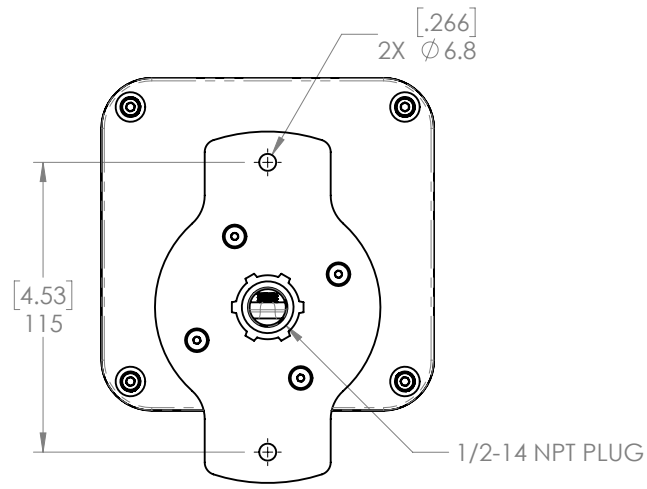
THE INFORMATION CONTAINED IN THIS DRAWING IS THE SOLE PROPERTY OF ECOSENSE LIGHTING, INC. ANY REPRODUCTION IN PART OR AS A WHOLE WITHOUT THE WRITTEN PERMISSION OF ECOSENSE LIGHTING IS PROHIBITED.
© 2017 ECOSENSE LIGHTING, INC.

UNLESS OTHERWISE SPECIFIED

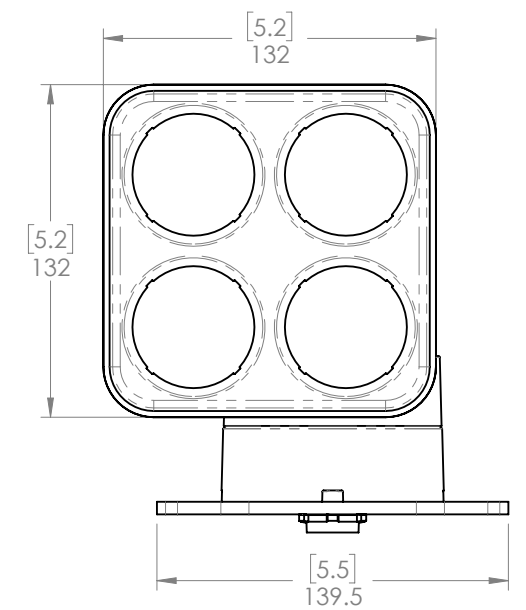
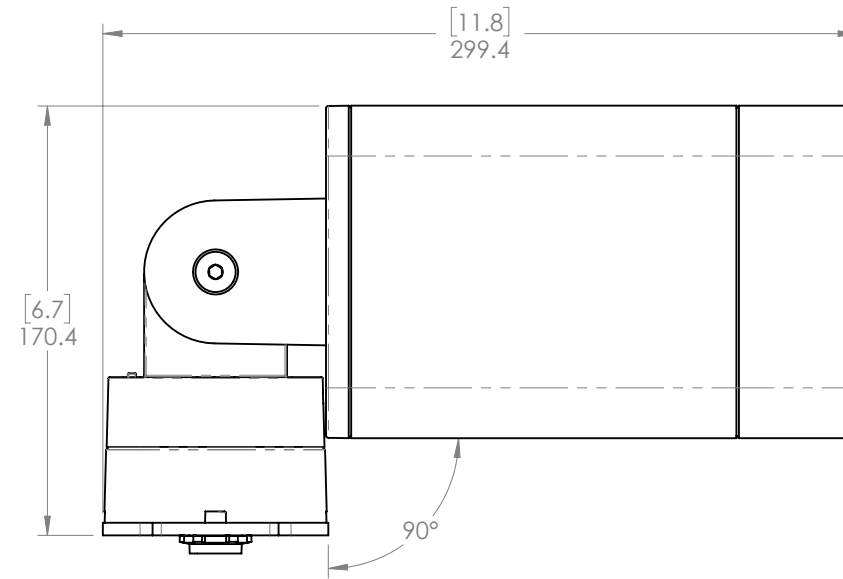
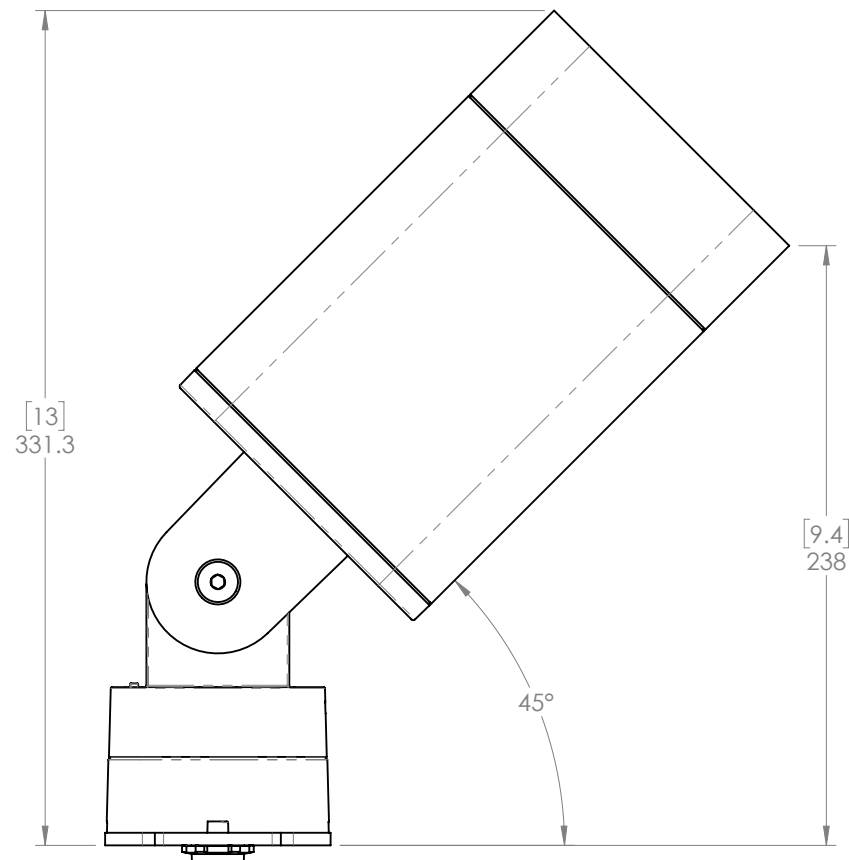
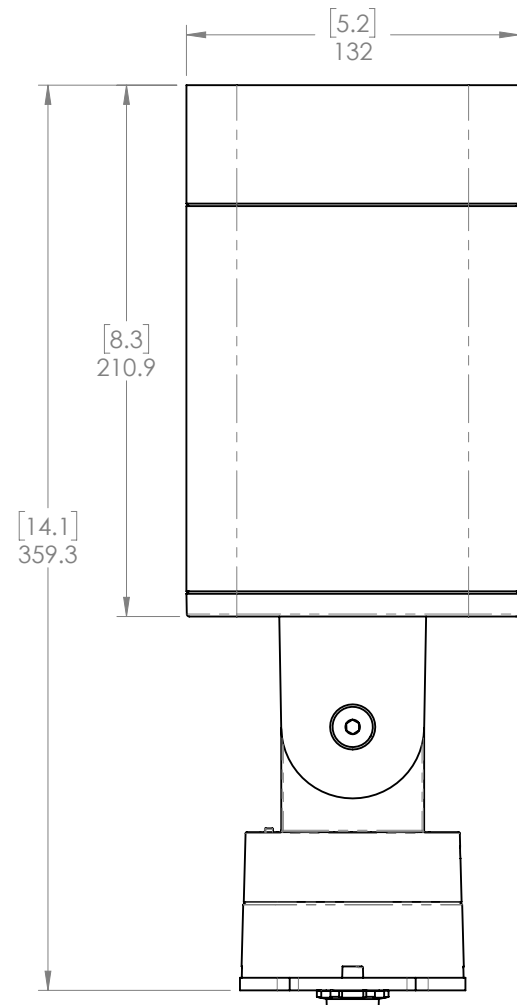
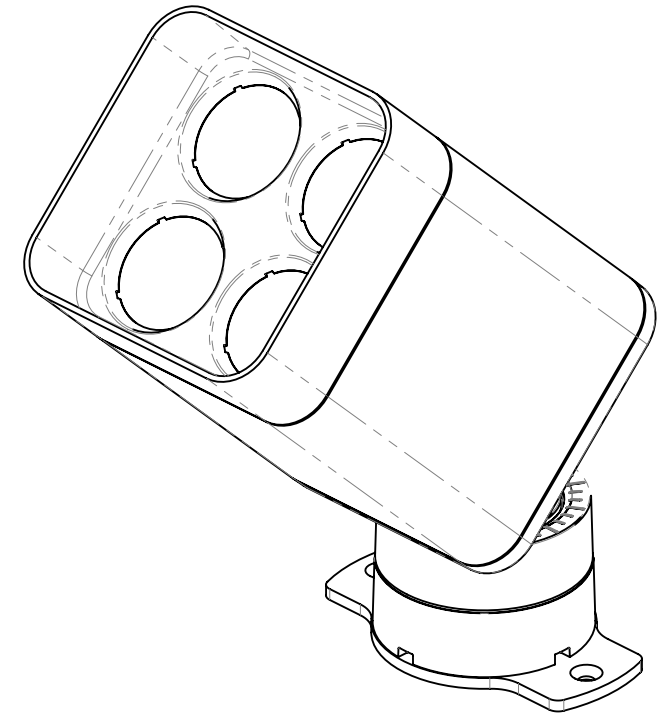
DIMENSIONS ARE IN MILLIMETERS
TOLERANCES PER DIN ISO 2768 T1 CLASS M (MEDIUM)
INTERPRET GEOMETRIC TOLERANCING PER: ASME Y14.5

ECOSENSE

TITLE RISE F170 SINGLE (EC BASE)			
DRAWN BY J. HAWKINS	DATE DRAWN 06/12/2017	DRAWING NUMBER	REV
PROJECT ENGINEER	THIRD ANGLE PROJECTION	SIZE B	SCALE 1:3
		SHEET 2 OF 3	



VIEW A-A
(BOTTOM VIEW)



PROPRIETARY AND CONFIDENTIAL

THE INFORMATION CONTAINED IN THIS DRAWING IS THE SOLE PROPERTY OF ECOSENSE LIGHTING, INC. ANY REPRODUCTION IN PART OR AS A WHOLE WITHOUT THE WRITTEN PERMISSION OF ECOSENSE LIGHTING IS PROHIBITED.
© 2017 ECOSENSE LIGHTING, INC.

UNLESS OTHERWISE SPECIFIED

DIMENSIONS ARE IN MILLIMETERS
TOLERANCES PER DIN ISO 2768 T1 CLASS M (MEDIUM)
INTERPRET GEOMETRIC TOLERANCING PER: ASME Y14.5

ECOSENSE

TITLE RISE F170 SINGLE (EC BASE)			
DRAWN BY J. HAWKINS	DATE DRAWN 06/12/2017	DRAWING NUMBER	REV
PROJECT ENGINEER	THIRD ANGLE PROJECTION	SIZE B	SCALE 1:3
		SHEET 3 OF 3	