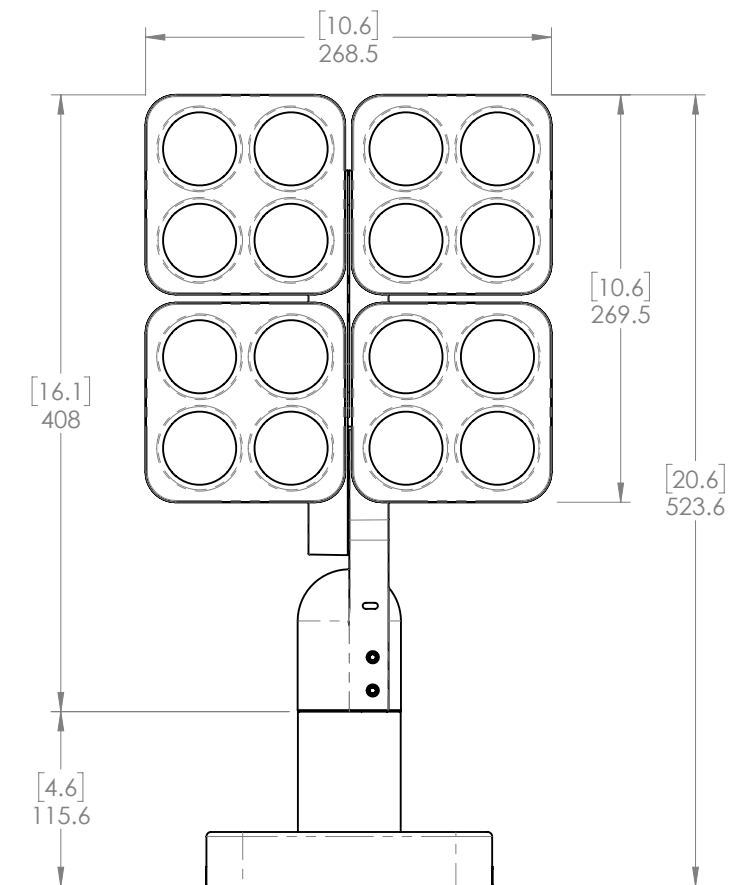
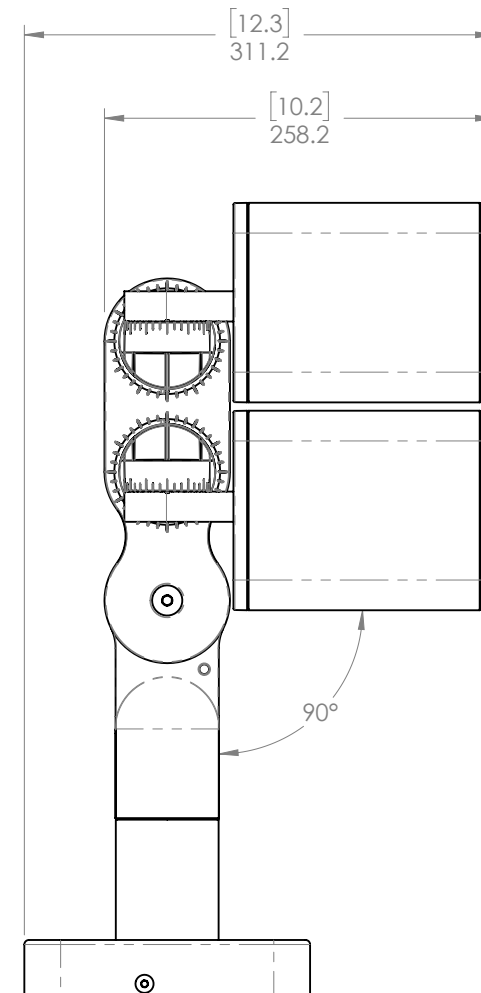
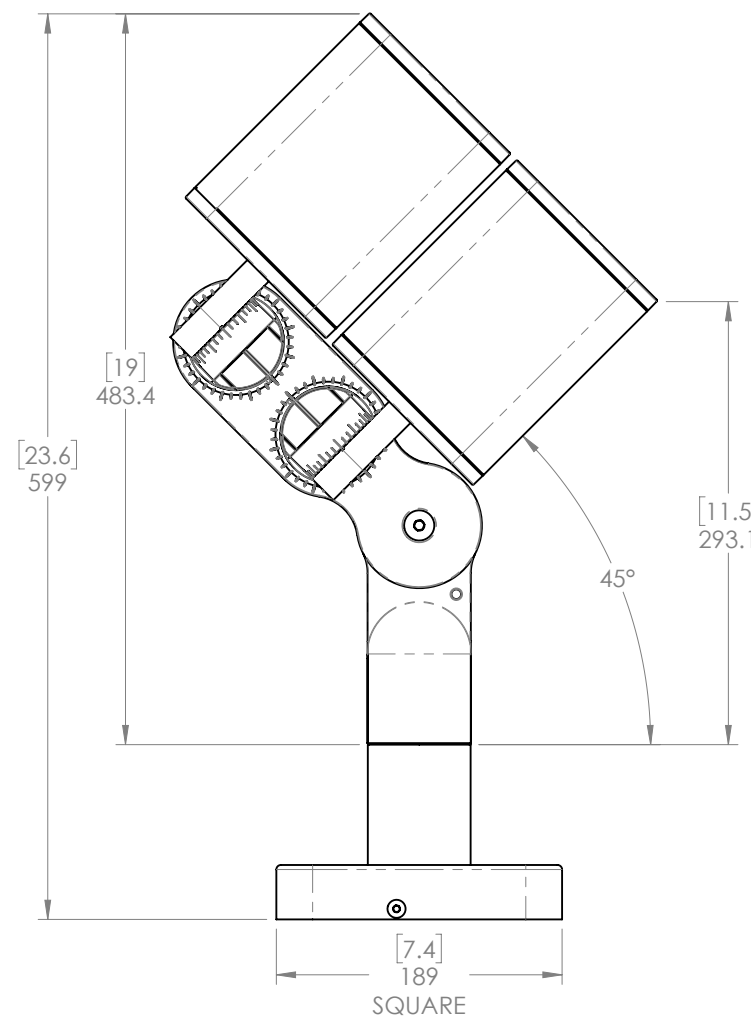
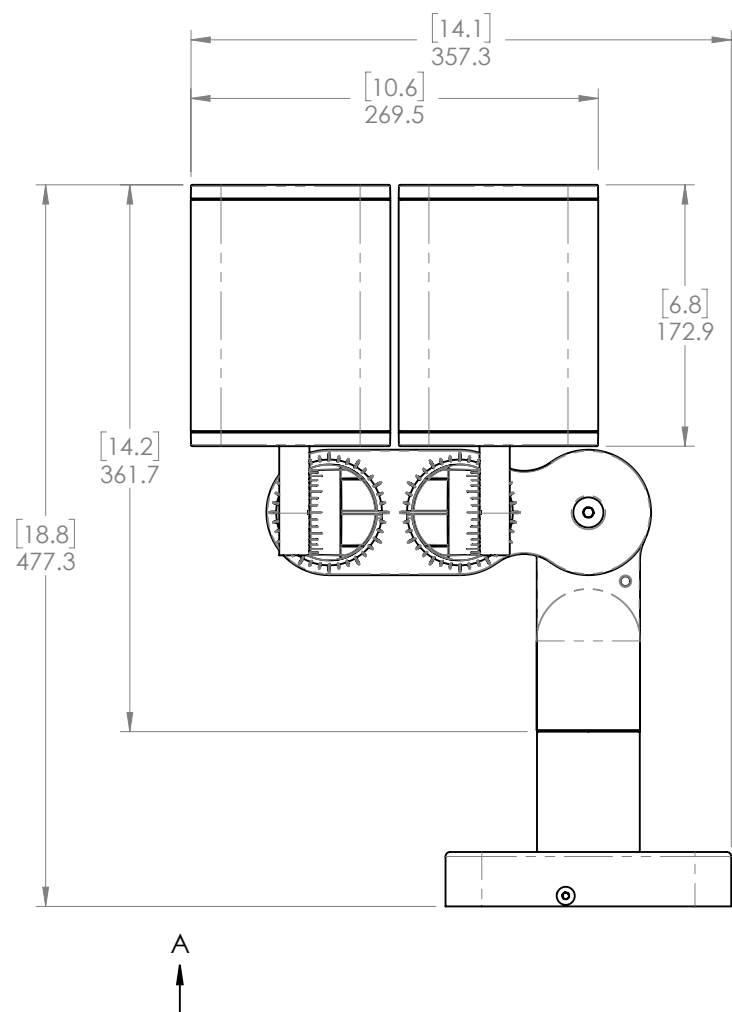
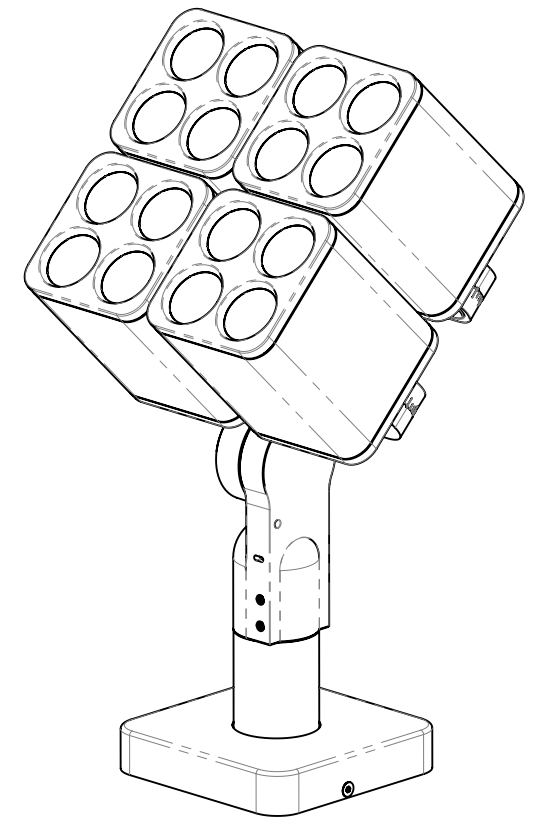


VIEW A-A
 (BOTTOM VIEW
 SCALE 1 : 4)



**PROPRIETARY AND
 CONFIDENTIAL**

THE INFORMATION CONTAINED IN
 THIS DRAWING IS THE SOLE PROPERTY
 OF ECOSENSE LIGHTING, INC.
 ANY REPRODUCTION IN PART
 OR AS A WHOLE WITHOUT
 THE WRITTEN PERMISSION OF
 ECOSENSE LIGHTING IS PROHIBITED.
 © 2017 ECOSENSE LIGHTING, INC.

UNLESS OTHERWISE SPECIFIED

DIMENSIONS ARE IN
 MILLIMETERS
 TOLERANCES PER
 DIN ISO 2768 T1
 CLASS M (MEDIUM)
 INTERPRET GEOMETRIC
 TOLERANCING PER: ASME Y14.5

ECOSENSE

TITLE RISE F170 QUAD			
DRAWN BY J. HAWKINS	DATE DRAWN 04/24/2017	DRAWING NUMBER	REV
PROJECT ENGINEER	THIRD ANGLE PROJECTION	SIZE B	SCALE 1:5
		SHEET 1 OF 1	