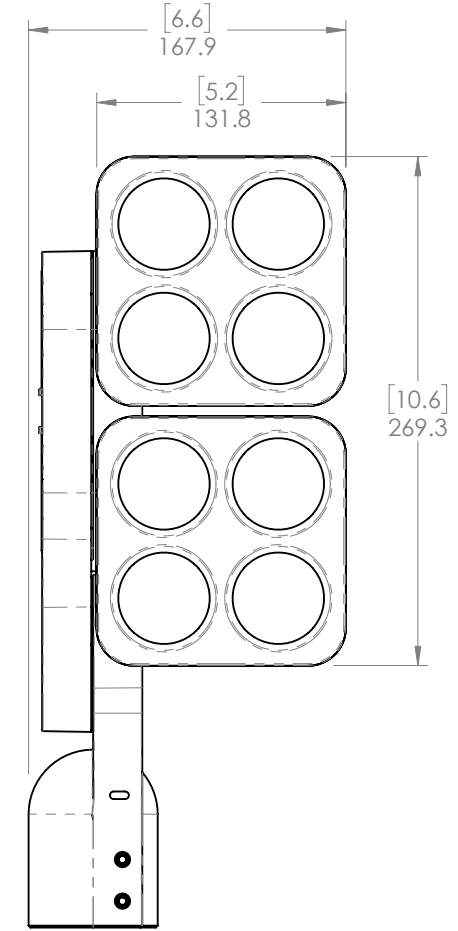
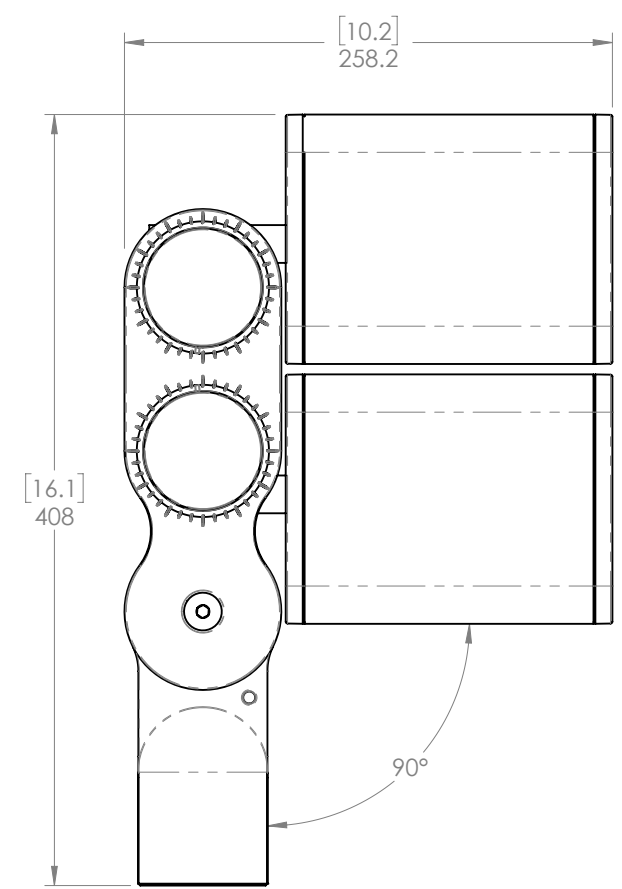
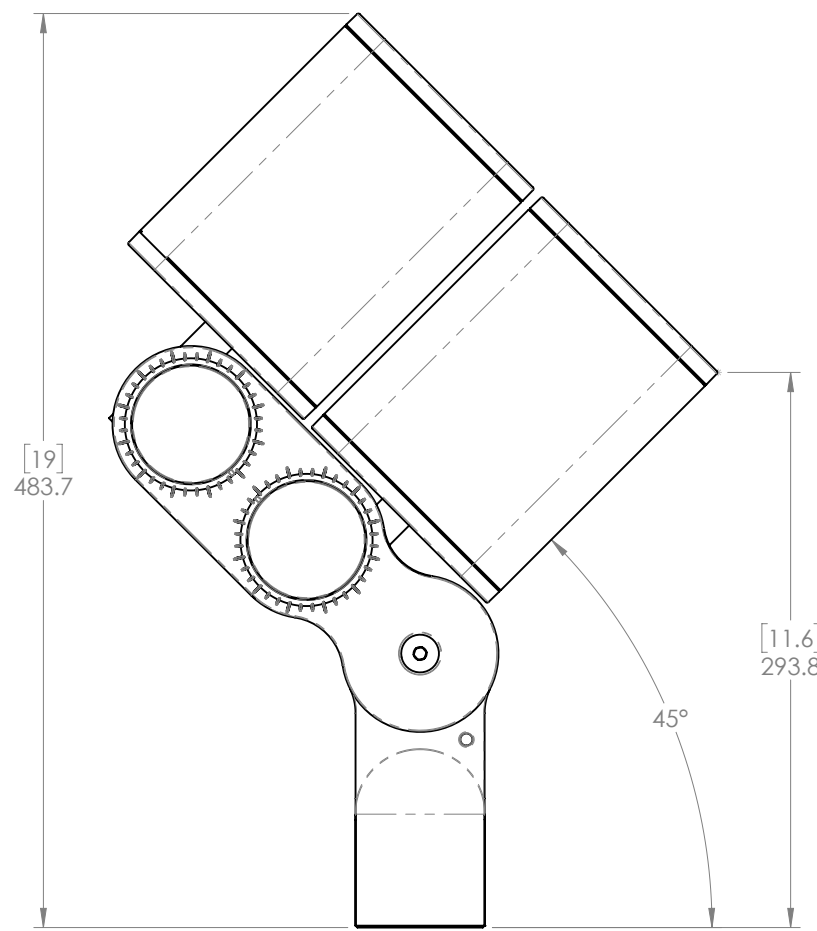
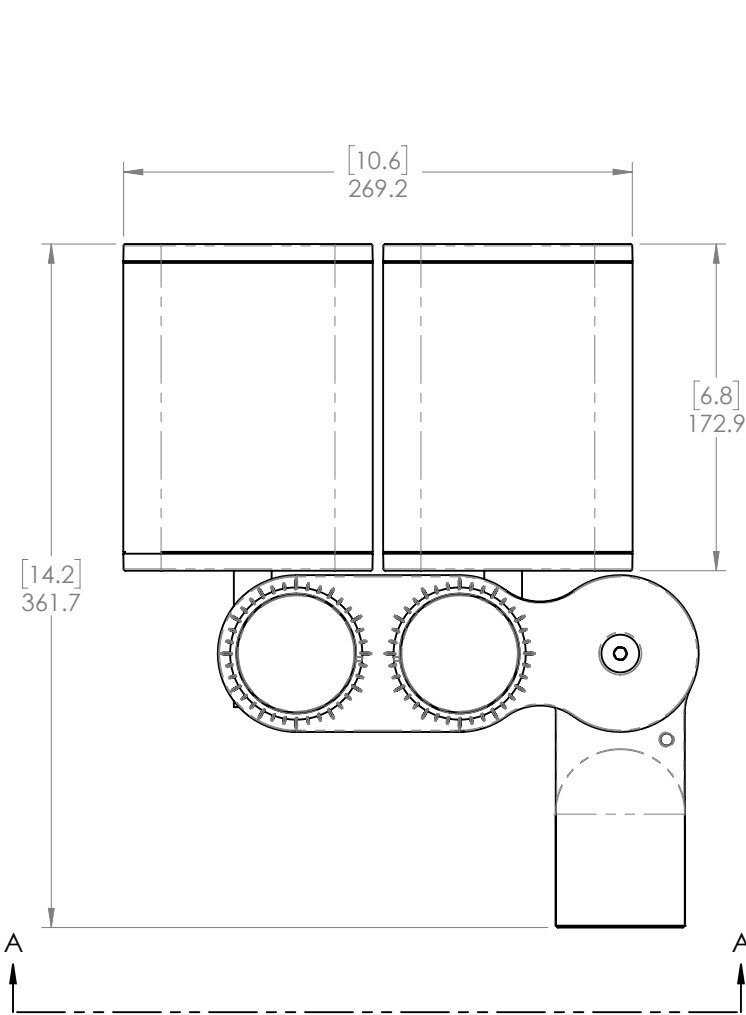
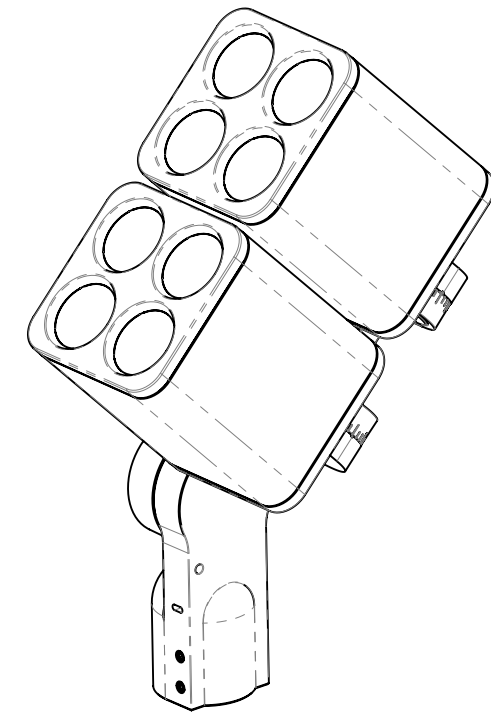


TENON MOUNT
 [2.375]
 Ø 60.3

VIEW A-A
 (BOTTOM VIEW)



PROPRIETARY AND CONFIDENTIAL THE INFORMATION CONTAINED IN THIS DRAWING IS THE SOLE PROPERTY OF ECOSENSE LIGHTING, INC. ANY REPRODUCTION IN PART OR AS A WHOLE WITHOUT THE WRITTEN PERMISSION OF ECOSENSE LIGHTING IS PROHIBITED. © 2017 ECOSENSE LIGHTING, INC.	UNLESS OTHERWISE SPECIFIED				
	DIMENSIONS ARE IN MILLIMETERS	TITLE RISE F170 DUO VERTICAL			
	TOLERANCES PER DIN ISO 2768 T1 CLASS M (MEDIUM)	DRAWN BY J. HAWKINS	DATE DRAWN 04/24/2017	DRAWING NUMBER	REV
INTERPRET GEOMETRIC TOLERANCING PER: ASME Y14.5	PROJECT ENGINEER	THIRD ANGLE PROJECTION	SIZE B	SCALE 1:4	SHEET 1 OF 1