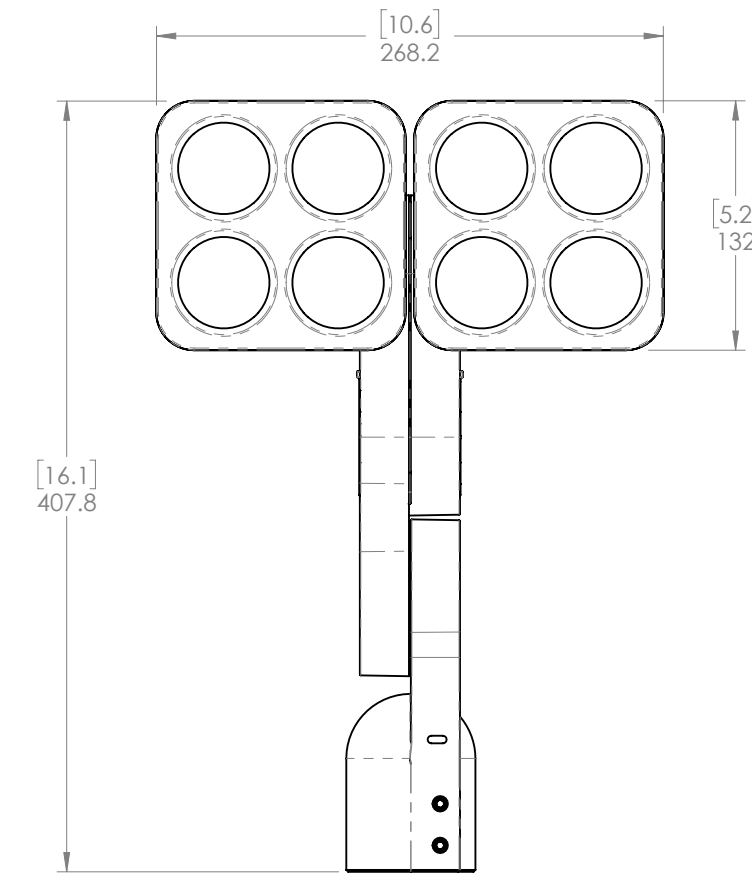
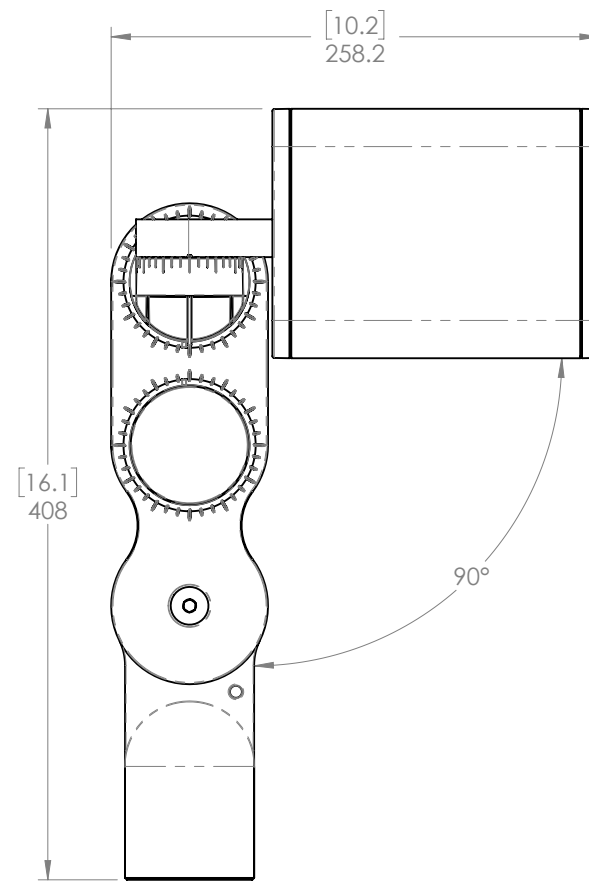
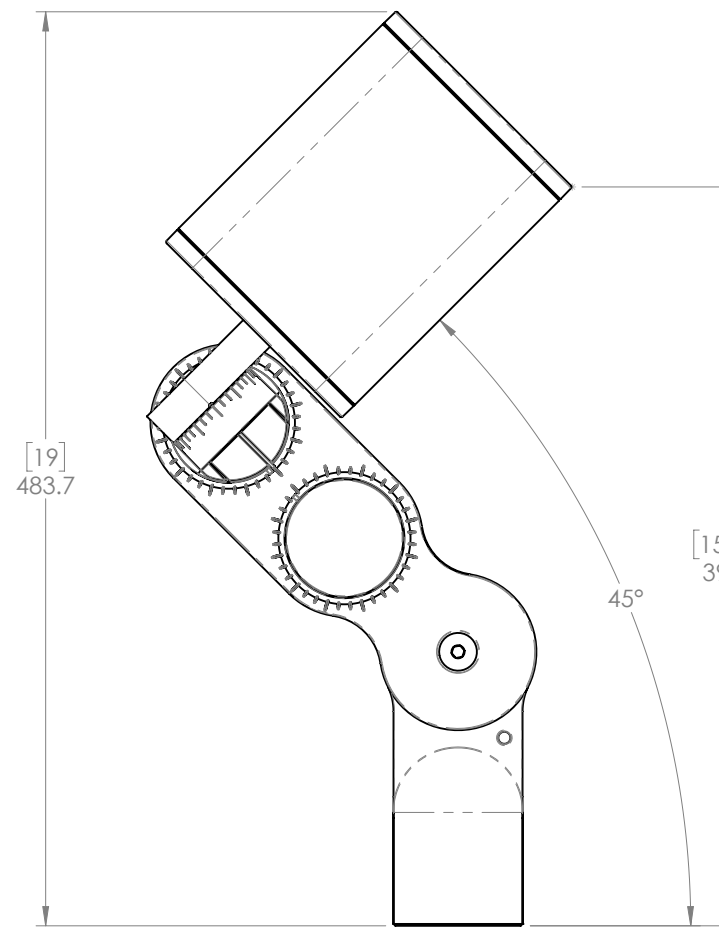
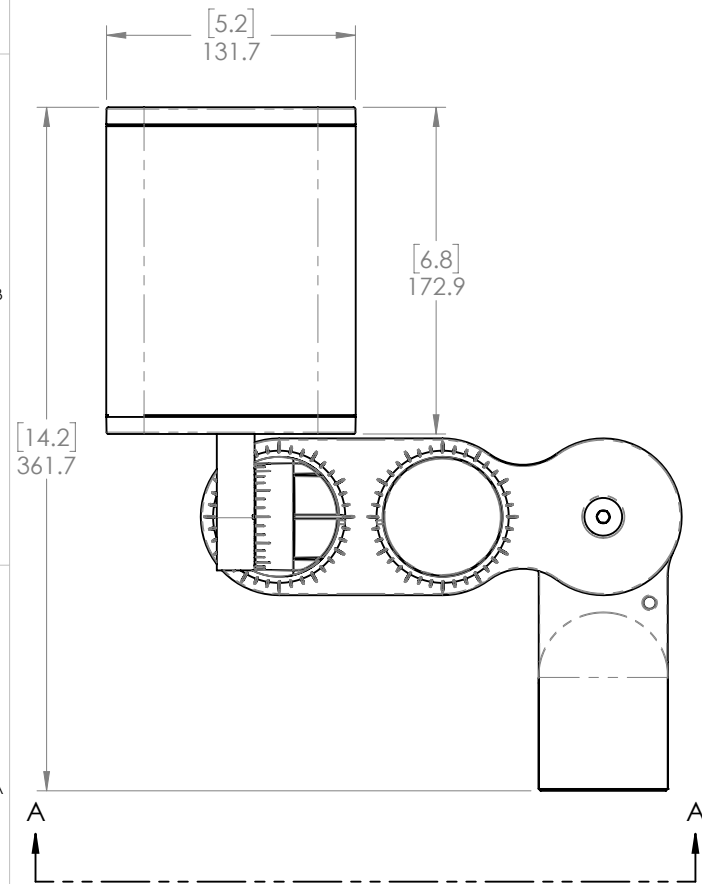
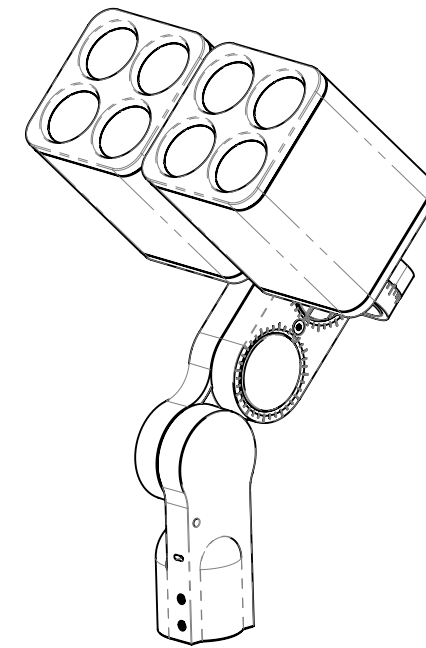


TENON MOUNT  
[2.375]  
Ø 60.3

VIEW A-A  
(BOTTOM VIEW)



**PROPRIETARY AND CONFIDENTIAL**

THE INFORMATION CONTAINED IN THIS DRAWING IS THE SOLE PROPERTY OF ECOSENSE LIGHTING, INC. ANY REPRODUCTION IN PART OR AS A WHOLE WITHOUT THE WRITTEN PERMISSION OF ECOSENSE LIGHTING IS PROHIBITED. © 2017 ECOSENSE LIGHTING, INC.

UNLESS OTHERWISE SPECIFIED

DIMENSIONS ARE IN MILLIMETERS  
TOLERANCES PER DIN ISO 2768 T1 CLASS M (MEDIUM)  
INTERPRET GEOMETRIC TOLERANCING PER: ASME Y14.5

**ECOSENSE**

TITLE RISE F170 DUO HORIZONTAL			
DRAWN BY J. HAWKINS	DATE DRAWN 04/24/2017	DRAWING NUMBER	REV
PROJECT ENGINEER	THIRD ANGLE PROJECTION	SIZE B	SCALE 1:4
		SHEET 1 OF 1	