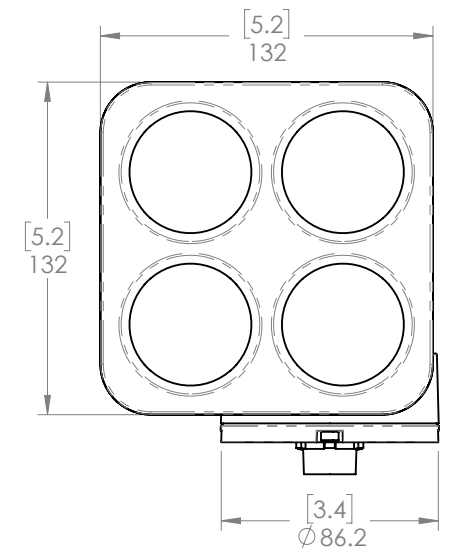
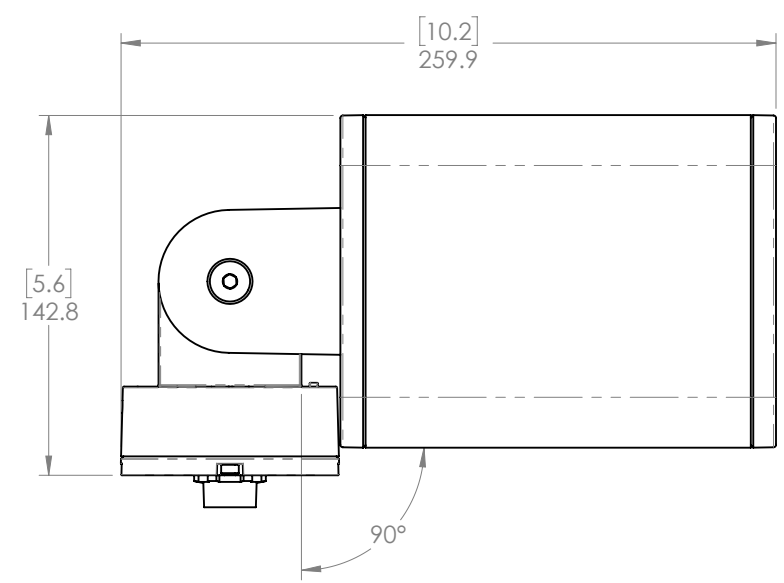
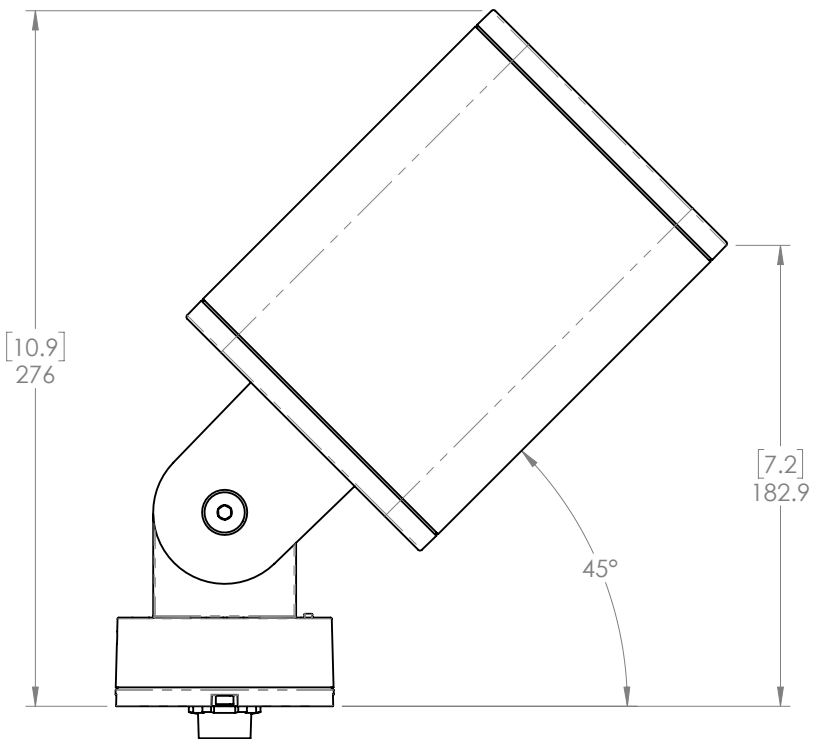
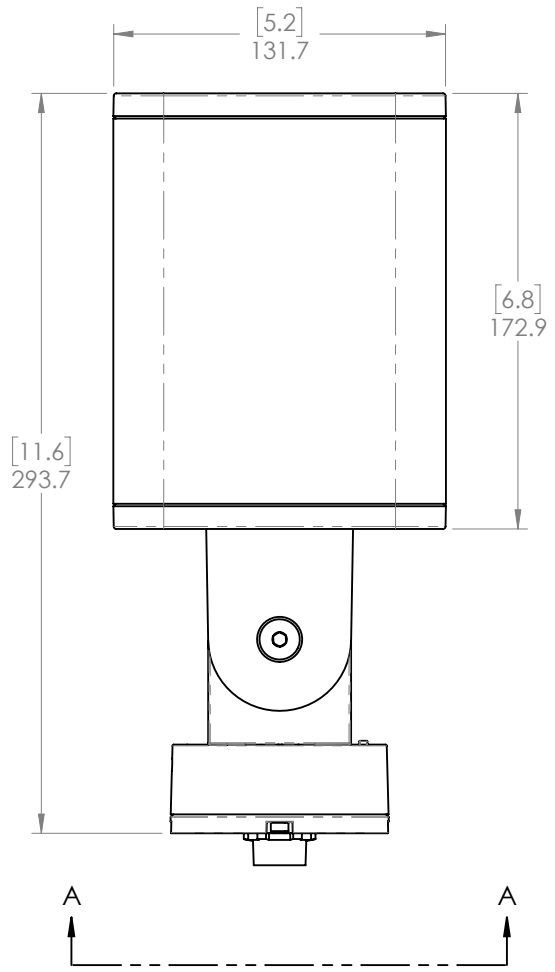
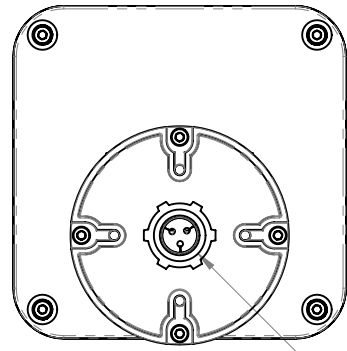


1/2-14 NPT PLUG

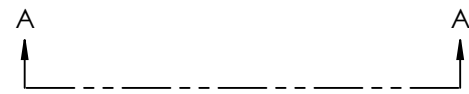
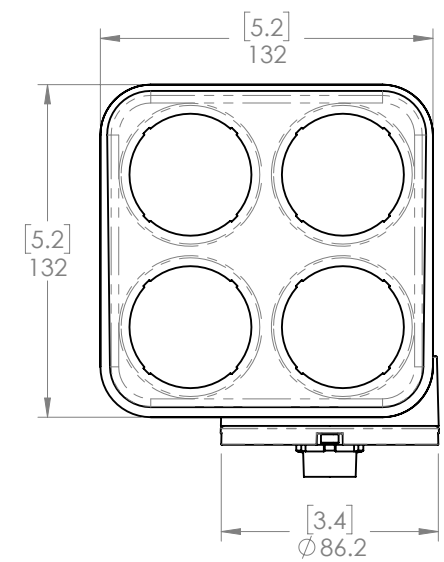
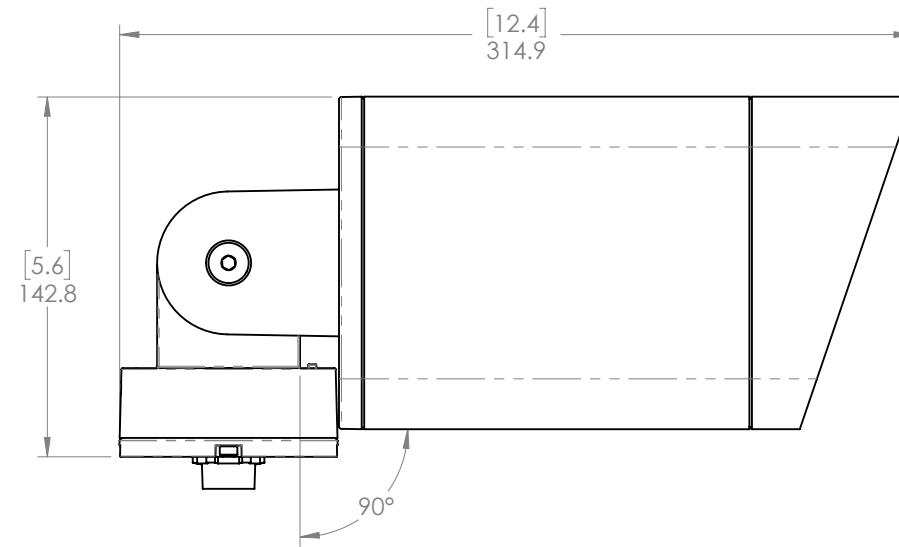
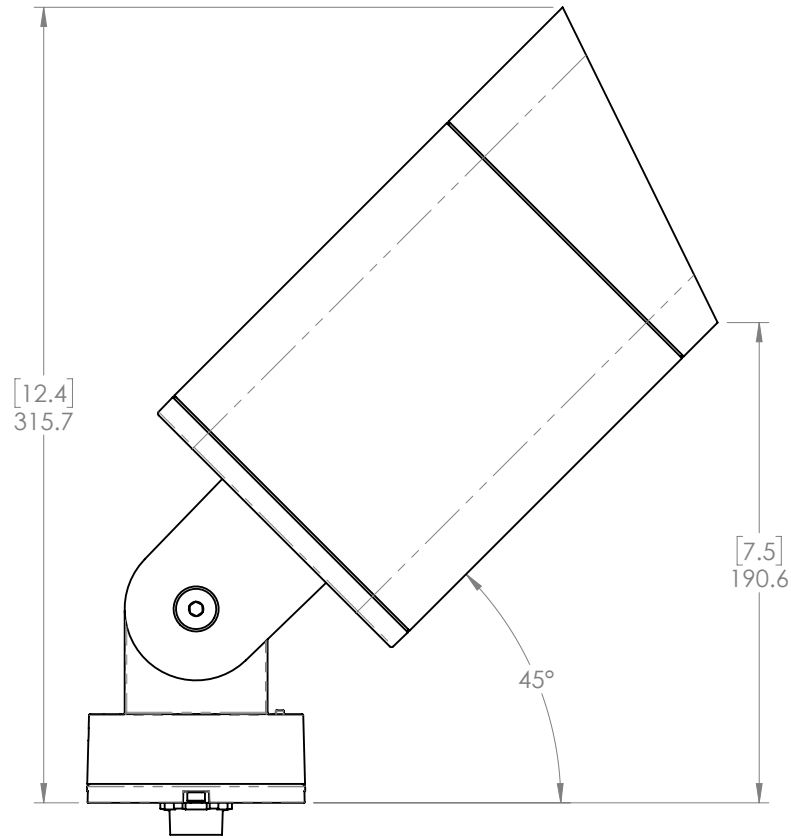
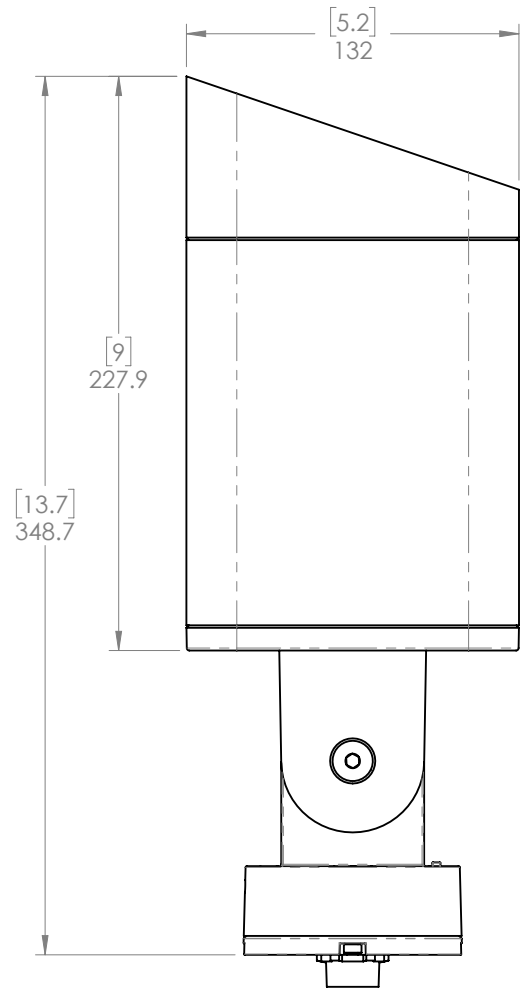
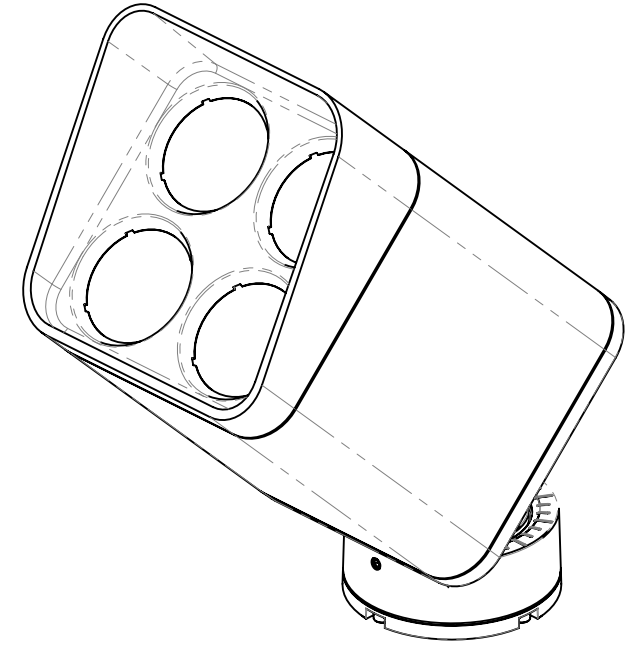
VIEW A-A
(BOTTOM VIEW)



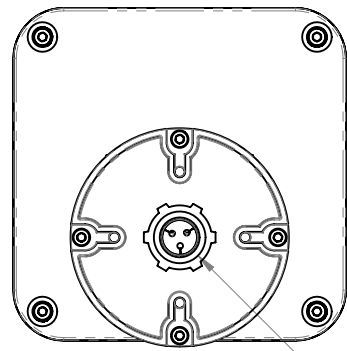
<p>PROPRIETARY AND CONFIDENTIAL</p> <p>THE INFORMATION CONTAINED IN THIS DRAWING IS THE SOLE PROPERTY OF ECOSENSE LIGHTING, INC. ANY REPRODUCTION IN PART OR AS A WHOLE WITHOUT THE WRITTEN PERMISSION OF ECOSENSE LIGHTING IS PROHIBITED. © 2017 ECOSENSE LIGHTING, INC.</p>	UNLESS OTHERWISE SPECIFIED					
	DIMENSIONS ARE IN MILLIMETERS	<p>TITLE</p> <p>RISE F170 SINGLE (IC BASE)</p>				
	<p>TOLERANCES PER DIN ISO 2768 T1 CLASS M (MEDIUM)</p> <p>INTERPRET GEOMETRIC TOLERANCING PER: ASME Y14.5</p>	<p>DRAWN BY</p> <p>J. HAWKINS</p>	<p>DATE DRAWN</p> <p>06/12/2017</p>	<p>DRAWING NUMBER</p>	<p>REV</p>	
		<p>PROJECT ENGINEER</p>	<p>THIRD ANGLE PROJECTION</p>	<p>SIZE</p> <p>B</p>	<p>SCALE</p> <p>1:3</p>	<p>SHEET</p> <p>1 OF 3</p>



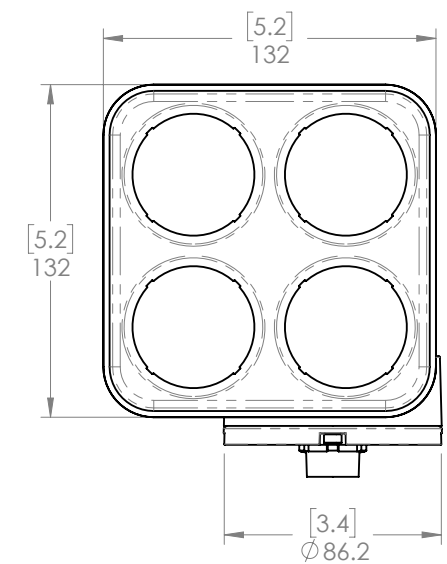
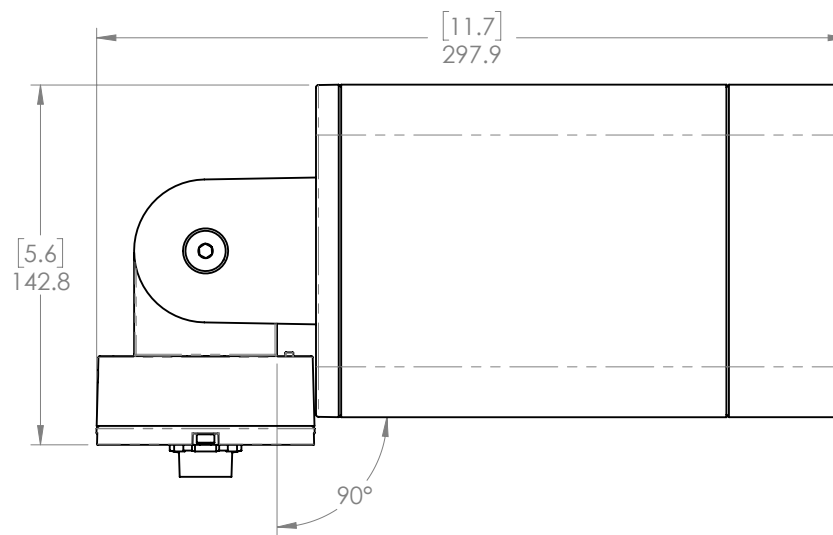
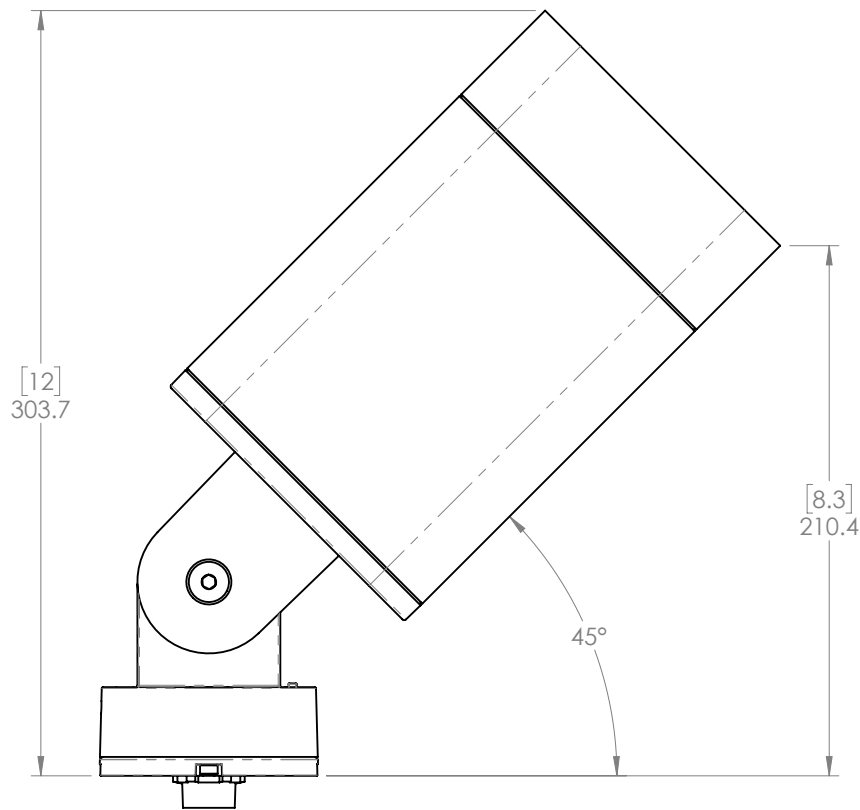
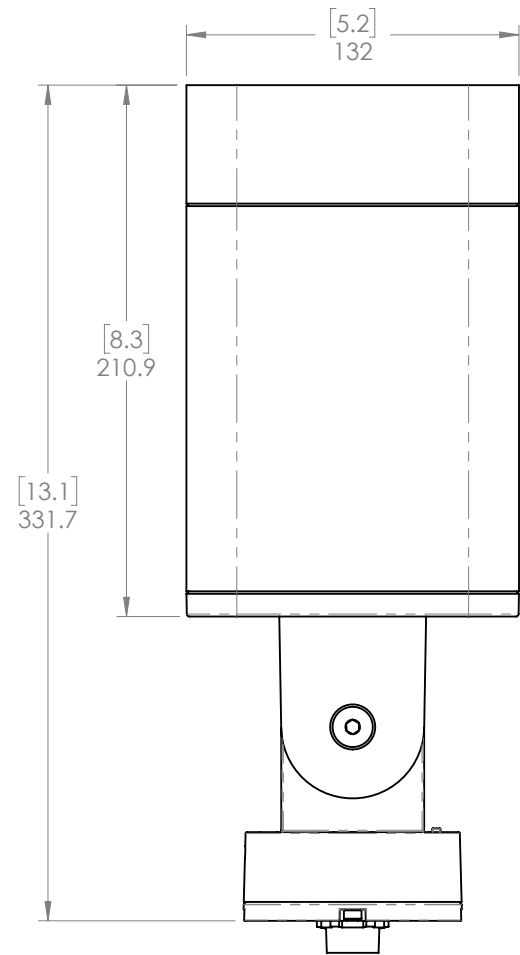
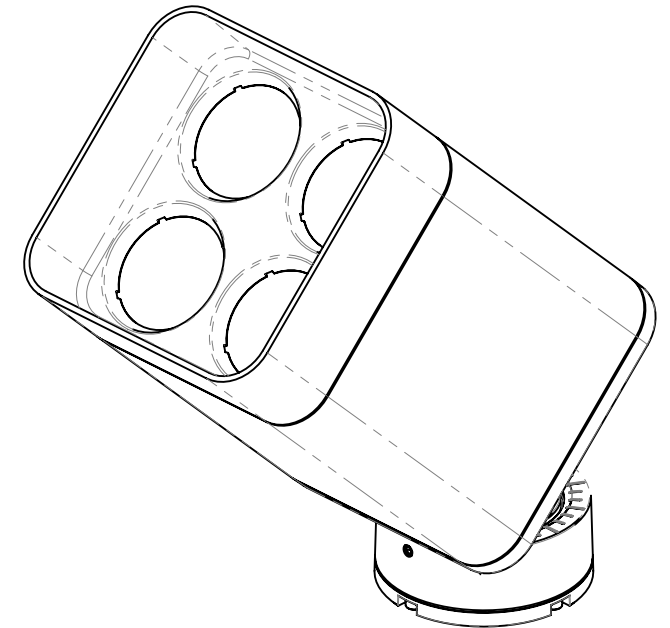
VIEW A-A
(BOTTOM VIEW)
1/2-14 NPT PLUG



<p>PROPRIETARY AND CONFIDENTIAL</p> <p>THE INFORMATION CONTAINED IN THIS DRAWING IS THE SOLE PROPERTY OF ECOSENSE LIGHTING, INC. ANY REPRODUCTION IN PART OR AS A WHOLE WITHOUT THE WRITTEN PERMISSION OF ECOSENSE LIGHTING IS PROHIBITED. © 2017 ECOSENSE LIGHTING, INC.</p>	<p>UNLESS OTHERWISE SPECIFIED</p> <p>DIMENSIONS ARE IN MILLIMETERS</p> <p>TOLERANCES PER DIN ISO 2768 T1 CLASS M (MEDIUM)</p> <p>INTERPRET GEOMETRIC TOLERANCING PER: ASME Y14.5</p>	<p>ECOSENSE</p>			
		<p>TITLE RISE F170 SINGLE (IC BASE)</p>			
		<p>DRAWN BY J. HAWKINS</p>	<p>DATE DRAWN 06/12/2017</p>	<p>DRAWING NUMBER</p>	<p>REV</p>
<p>PROJECT ENGINEER</p>	<p>THIRD ANGLE PROJECTION</p>		<p>SIZE B</p>	<p>SCALE 1:3</p>	<p>SHEET 2 OF 3</p>



VIEW A-A
(BOTTOM VIEW) 1/2-14 NPT PLUG



PROPRIETARY AND CONFIDENTIAL

THE INFORMATION CONTAINED IN THIS DRAWING IS THE SOLE PROPERTY OF ECOSENSE LIGHTING, INC. ANY REPRODUCTION IN PART OR AS A WHOLE WITHOUT THE WRITTEN PERMISSION OF ECOSENSE LIGHTING IS PROHIBITED. © 2017 ECOSENSE LIGHTING, INC.

UNLESS OTHERWISE SPECIFIED

DIMENSIONS ARE IN MILLIMETERS
TOLERANCES PER DIN ISO 2768 T1 CLASS M (MEDIUM)
INTERPRET GEOMETRIC TOLERANCING PER: ASME Y14.5

ECOSENSE

TITLE			
RISE F170 SINGLE (IC BASE)			
DRAWN BY	DATE DRAWN	DRAWING NUMBER	REV
J. HAWKINS	06/12/2017		
PROJECT ENGINEER	THIRD ANGLE PROJECTION	SIZE	SCALE SHEET
		B	1:3 3 OF 3