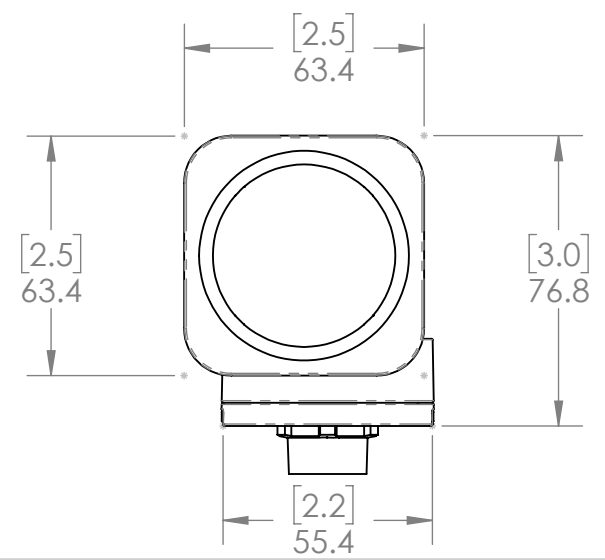
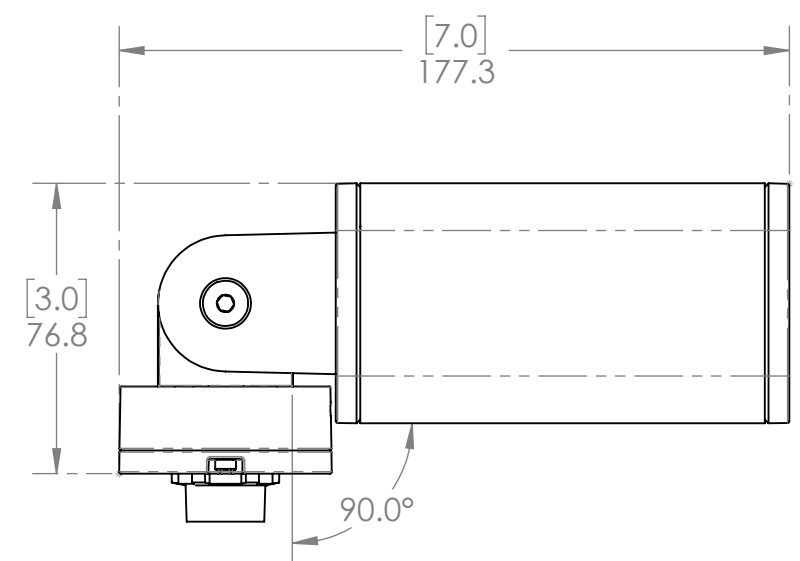
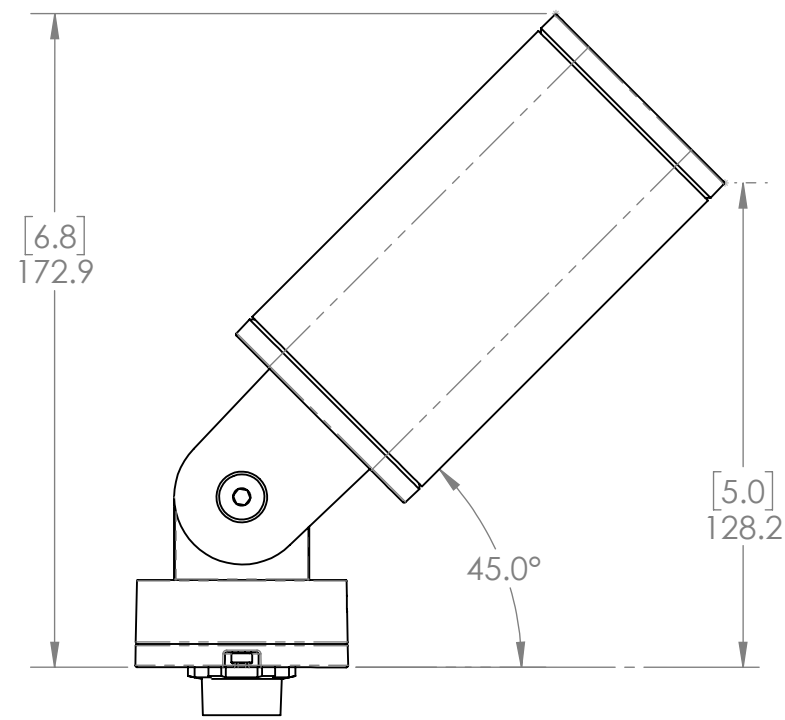
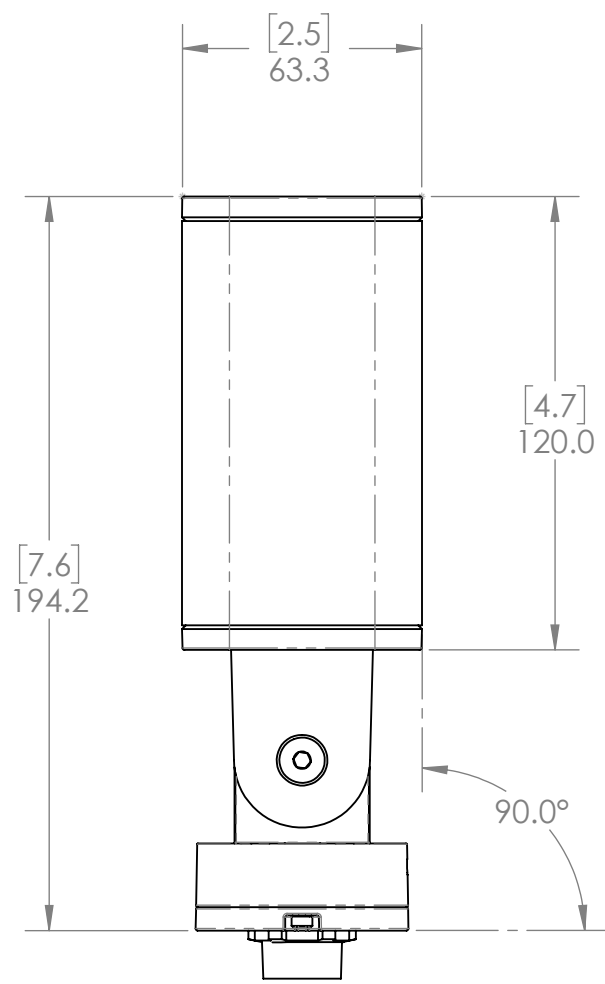
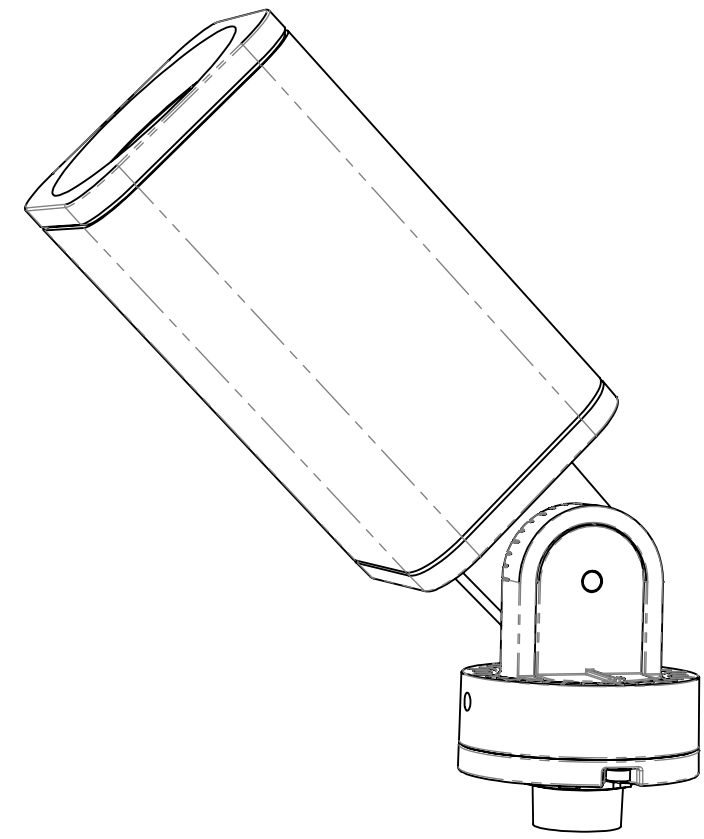


FIXTURE MODEL	FIXTURE CONFIG.	POWER/LUMEN OUTPUT	CCT/COLOR	CRI	BEAM ANGLE	FINISHES	ACCESSORIES	WIRING AND MOUNTING
<b>F080</b>	<b>1S</b>							
F080	1S - Single Head	LO - Low Output (1200lms)  MO - Medium Output (2000lms)  HO - High Output (2800lms)	22 - 2200K 25 - 2500K 27 - 2700K 30 - 3000K 35 - 3500K 40 - 4000K 50 - 5000K 65 - 6500K RD - Red GR - Green BL - Blue AM - Amber	8 - 80 9 - 90* X - For RD, GR, BL, AM  *90 CRI not available in 2200K, 2500K, 5000K, and 6500K	05 - Laser Spot (5°) 10 - Very Narrow Spot (10°) 15 - Narrow Spot (15°) 20 - Spot (20°) 40 - Flood (40°) 60 - Wide Flood (60°) 80 - Very Wide Flood (80°) E1 - Elliptical 1 (15°x60°) E2 - Elliptical 2 (30°x60°) E3 - Elliptical 3 (60°x15°) E4 - Elliptical 4 (60°x30°)	K - Black Z - Bronze S - Silver W - White C - Custom	X - No Accessory H - Half Snoot F - Full Snoot C - Custom  Will ship as X if not specified	A - Flying Leads - Internal Cable IC; Bottom Exit; 1/2" NPT-100V-277V; UL/CE Rated  B - External Cable Side Exit; Surface Mount - 100V-277V; CE Rated Not UL Listed  C - External Cable Bottom Exit; Surface Mount - 1/2" NPT-100V-277V; UL/CE Rated  Will ship as A if not specified
<b>EXAMPLE:</b> F080-1S-LO-22-8-05-S-X-A								



<b>PROPRIETARY AND CONFIDENTIAL</b>		UNLESS OTHERWISE SPECIFIED		<b>ECOSENSE</b>			
THE INFORMATION CONTAINED IN THIS DRAWING IS THE SOLE PROPERTY OF ECOSENSE LIGHTING, INC. ANY REPRODUCTION IN PART OR AS A WHOLE WITHOUT THE WRITTEN PERMISSION OF ECOSENSE LIGHTING IS PROHIBITED. © 2016 ECOSENSE LIGHTING, INC.		DIMENSIONS ARE IN MILLIMETERS  TOLERANCES PER DIN ISO 2768 T1 CLASS M (MEDIUM)  INTERPRET GEOMETRIC TOLERANCING PER: ASME Y14.5		TITLE <b>F080 SINGLE UP ( IC BASE )</b>			
DRAWN BY <b>S.ASHRAF</b>		DATE DRAWN <b>12/01/2016</b>		DRAWING NUMBER		REV	
PROJECT ENGINEER		THIRD ANGLE PROJECTION		SIZE <b>B</b>		SCALE <b>1:2</b>	
				SHEET <b>1 OF 1</b>			