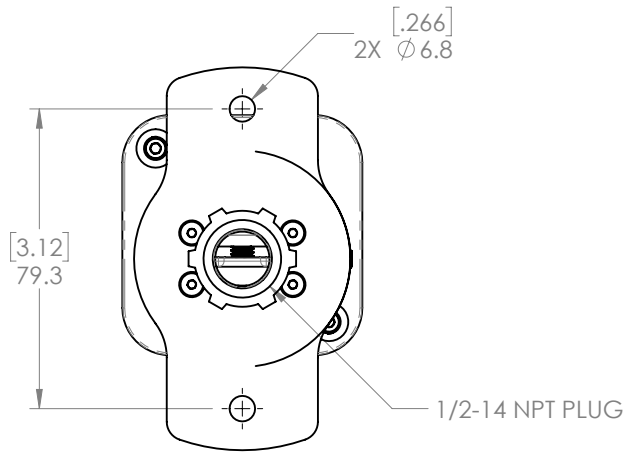
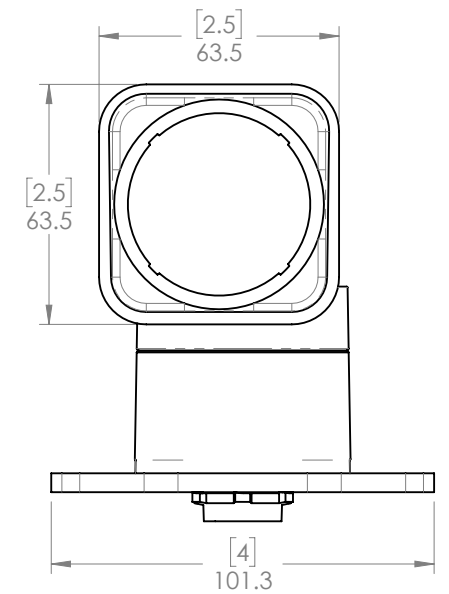
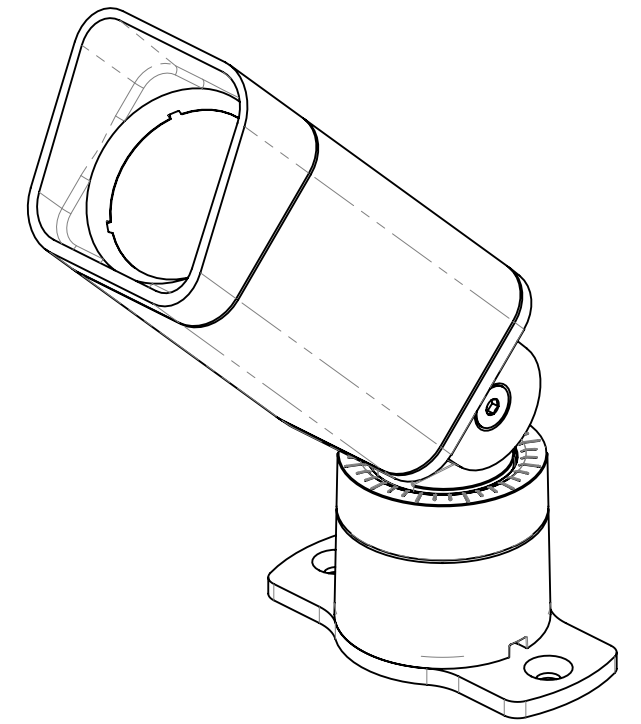
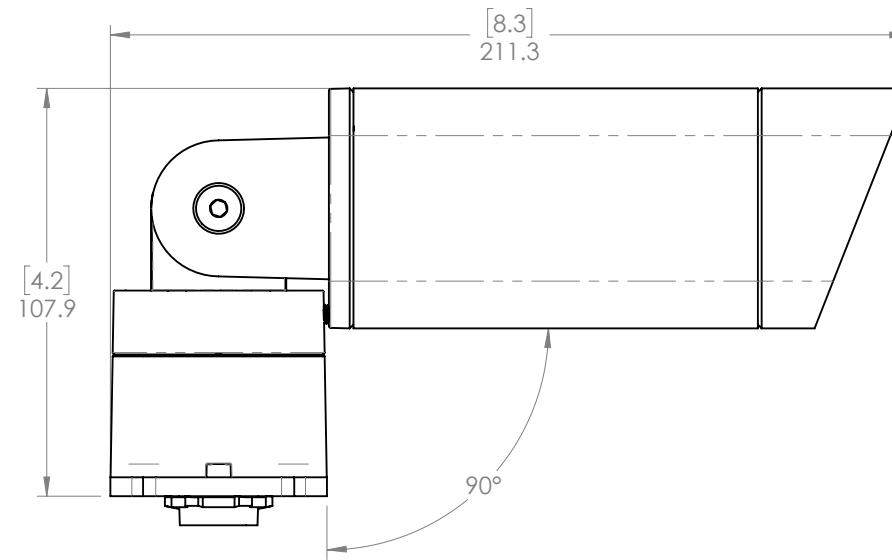
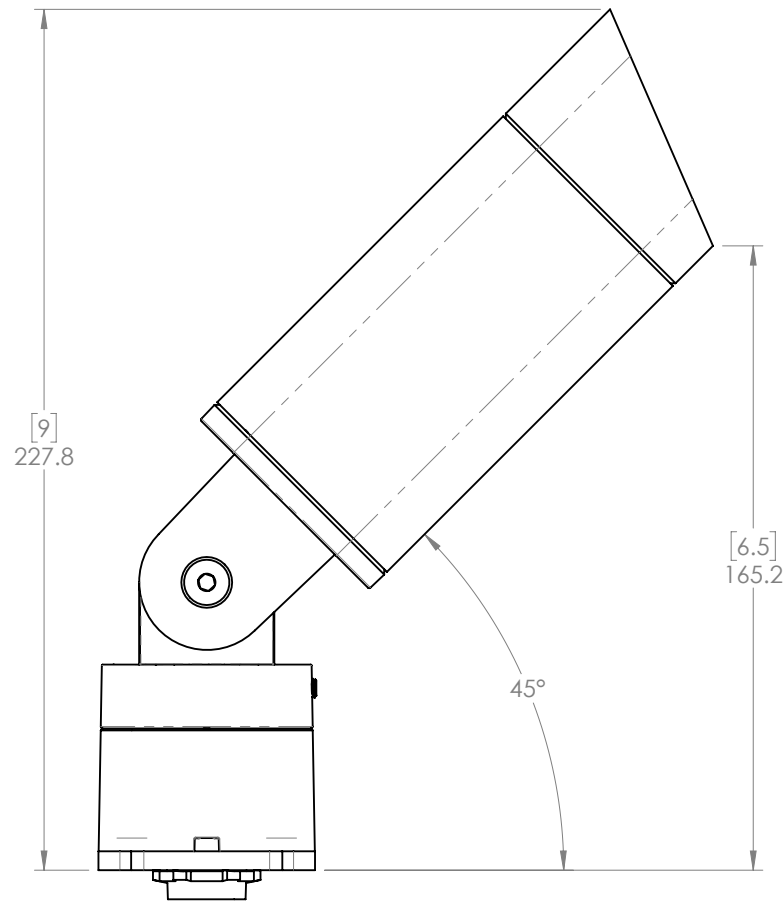
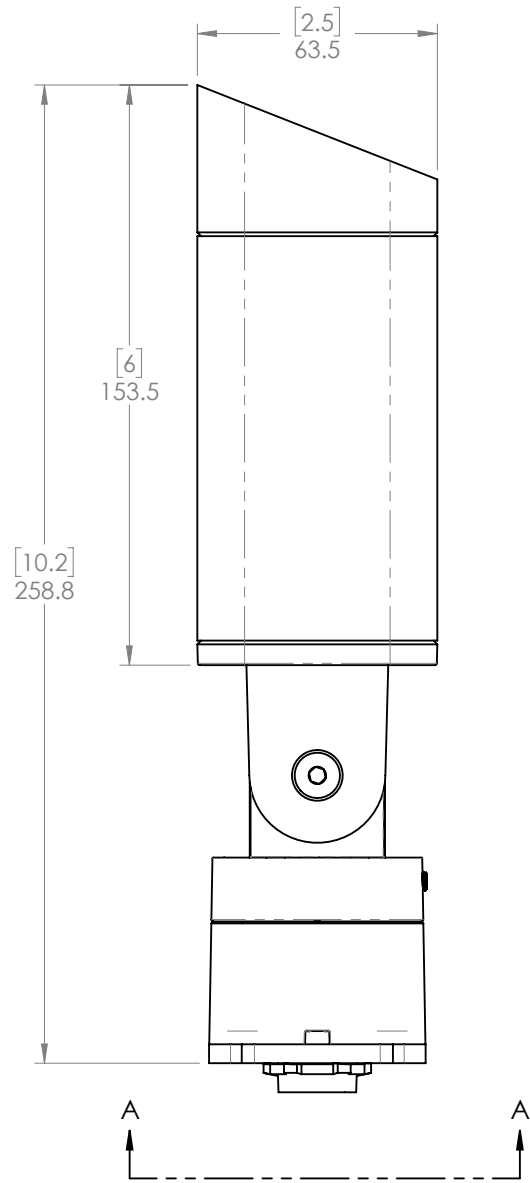


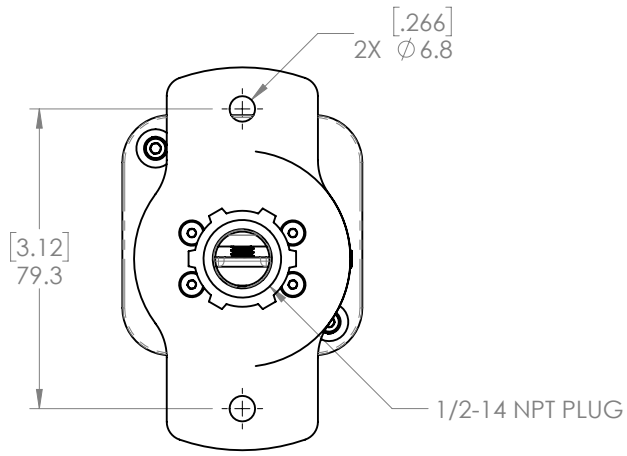
<b>PROPRIETARY AND CONFIDENTIAL</b>  THE INFORMATION CONTAINED IN THIS DRAWING IS THE SOLE PROPERTY OF ECOSENSE LIGHTING, INC. ANY REPRODUCTION IN PART OR AS A WHOLE WITHOUT THE WRITTEN PERMISSION OF ECOSENSE LIGHTING IS PROHIBITED. © 2017 ECOSENSE LIGHTING, INC.	UNLESS OTHERWISE SPECIFIED				
	DIMENSIONS ARE IN MILLIMETERS	TITLE <b>RISE F080 SINGLE (EC BASE)</b>			
	TOLERANCES PER DIN ISO 2768 T1 CLASS M (MEDIUM)  INTERPRET GEOMETRIC TOLERANCING PER: ASME Y14.5	DRAWN BY <b>J. HAWKINS</b>	DATE DRAWN <b>06/12/2017</b>	DRAWING NUMBER	REV
	PROJECT ENGINEER	THIRD ANGLE PROJECTION	SIZE <b>B</b>	SCALE <b>1:2</b>	SHEET <b>1 OF 3</b>



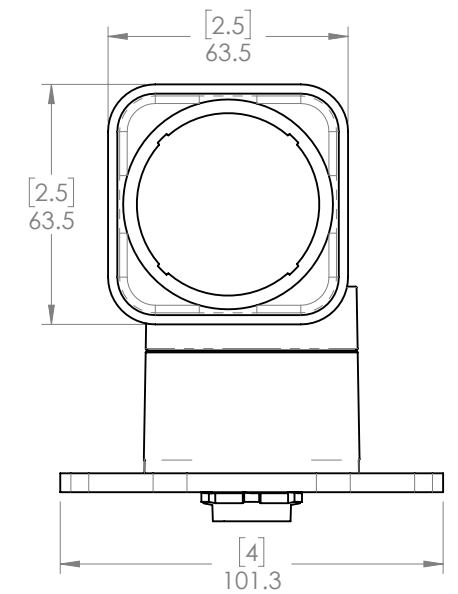
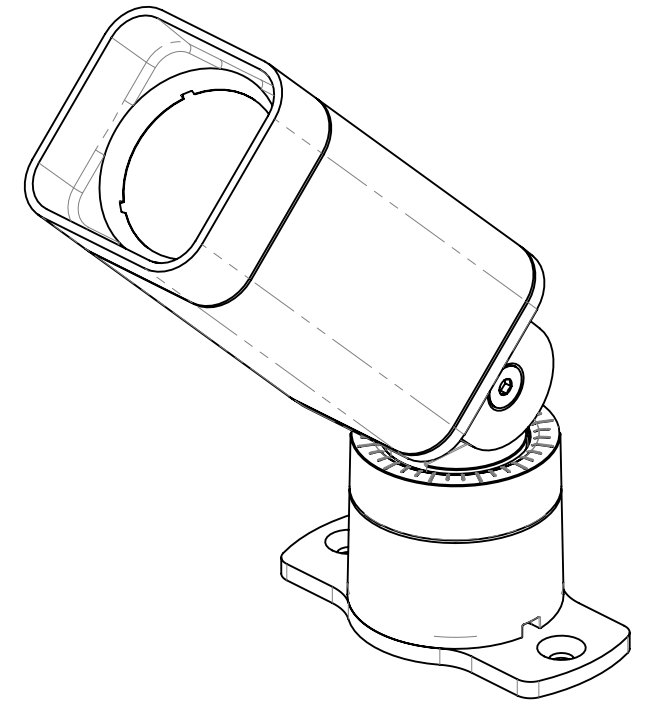
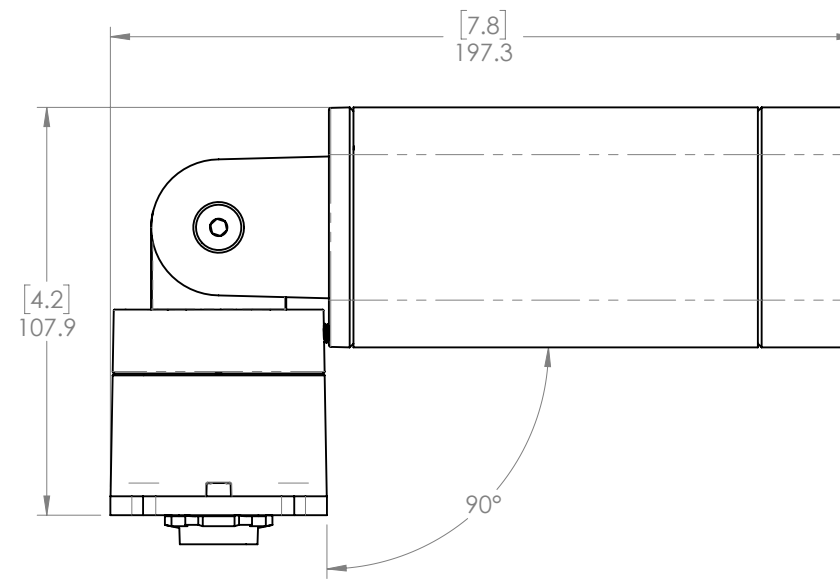
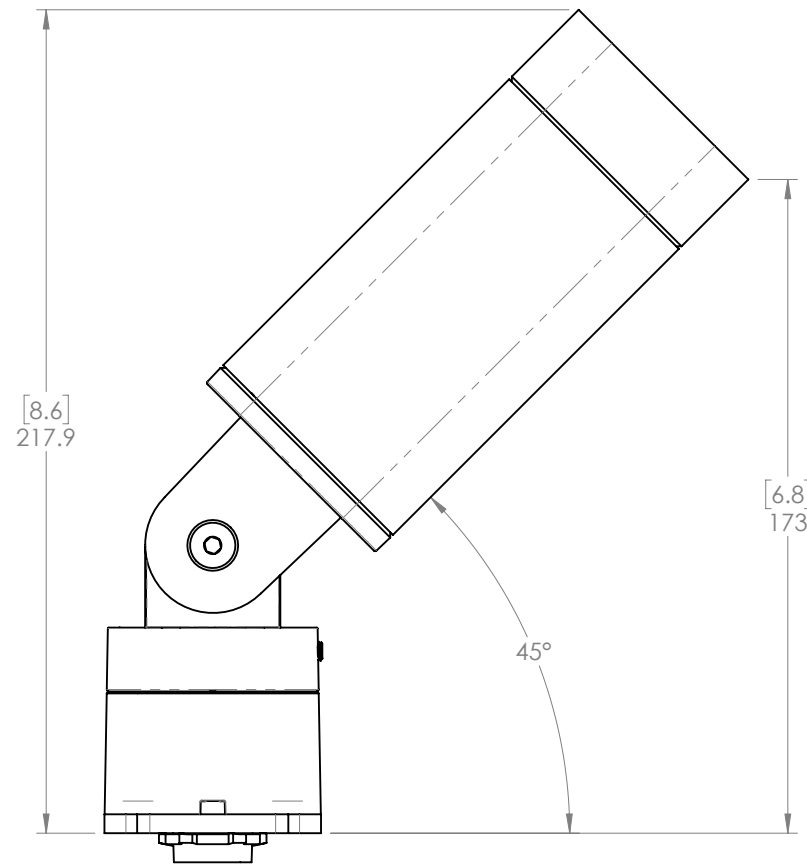
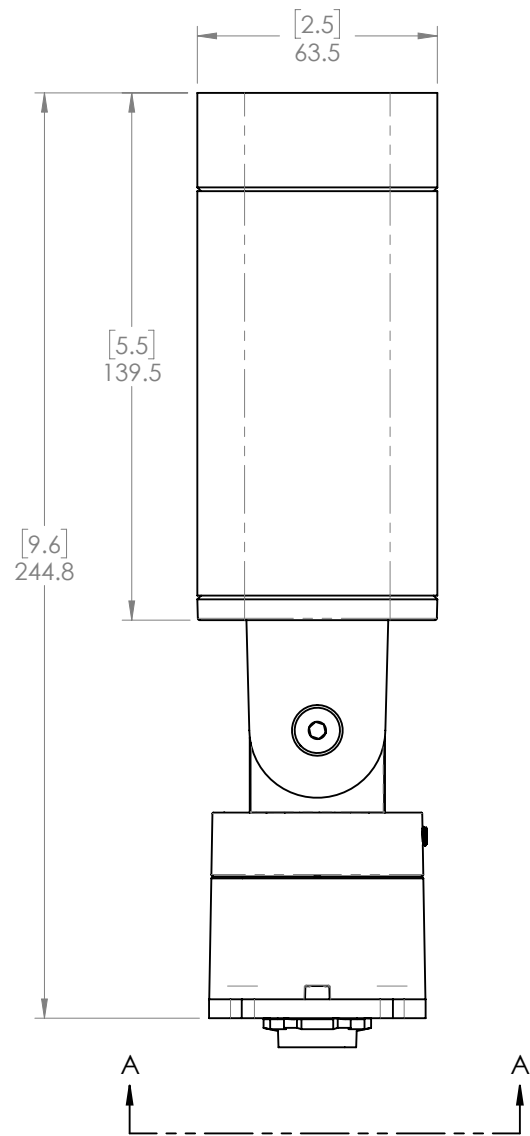
VIEW A-A  
(BOTTOM VIEW)



<b>PROPRIETARY AND CONFIDENTIAL</b> THE INFORMATION CONTAINED IN THIS DRAWING IS THE SOLE PROPERTY OF ECOSENSE LIGHTING, INC. ANY REPRODUCTION IN PART OR AS A WHOLE WITHOUT THE WRITTEN PERMISSION OF ECOSENSE LIGHTING IS PROHIBITED. © 2017 ECOSENSE LIGHTING, INC.	UNLESS OTHERWISE SPECIFIED DIMENSIONS ARE IN MILLIMETERS TOLERANCES PER DIN ISO 2768 T1 CLASS M (MEDIUM) INTERPRET GEOMETRIC TOLERANCING PER: ASME Y14.5	<b>ECOSENSE</b> TITLE <b>RISE F080 SINGLE (EC BASE)</b>			
		DRAWN BY <b>J. HAWKINS</b>	DATE DRAWN <b>06/12/2017</b>	DRAWING NUMBER	REV
		PROJECT ENGINEER THIRD ANGLE PROJECTION	SIZE <b>B</b>	SCALE <b>1:2</b>	SHEET <b>2 OF 3</b>



VIEW A-A  
(BOTTOM VIEW)



<b>PROPRIETARY AND CONFIDENTIAL</b> THE INFORMATION CONTAINED IN THIS DRAWING IS THE SOLE PROPERTY OF ECOSENSE LIGHTING, INC. ANY REPRODUCTION IN PART OR AS A WHOLE WITHOUT THE WRITTEN PERMISSION OF ECOSENSE LIGHTING IS PROHIBITED. © 2017 ECOSENSE LIGHTING, INC.	UNLESS OTHERWISE SPECIFIED  DIMENSIONS ARE IN MILLIMETERS  TOLERANCES PER DIN ISO 2768 T1 CLASS M (MEDIUM)  INTERPRET GEOMETRIC TOLERANCING PER: ASME Y14.5	<b>ECOSENSE</b> TITLE <b>RISE F080 SINGLE (EC BASE)</b>			
		DRAWN BY <b>J. HAWKINS</b>	DATE DRAWN <b>06/12/2017</b>	DRAWING NUMBER	REV
		PROJECT ENGINEER 	SIZE <b>B</b>	SCALE <b>1:2</b>	SHEET <b>3 OF 3</b>