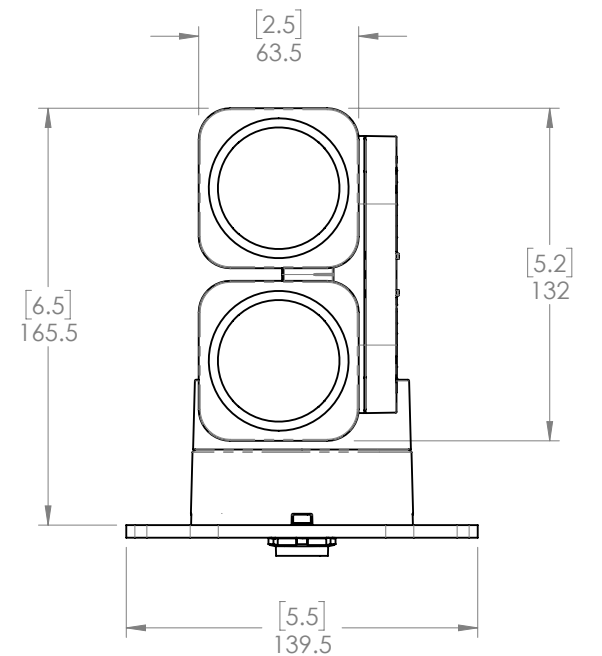
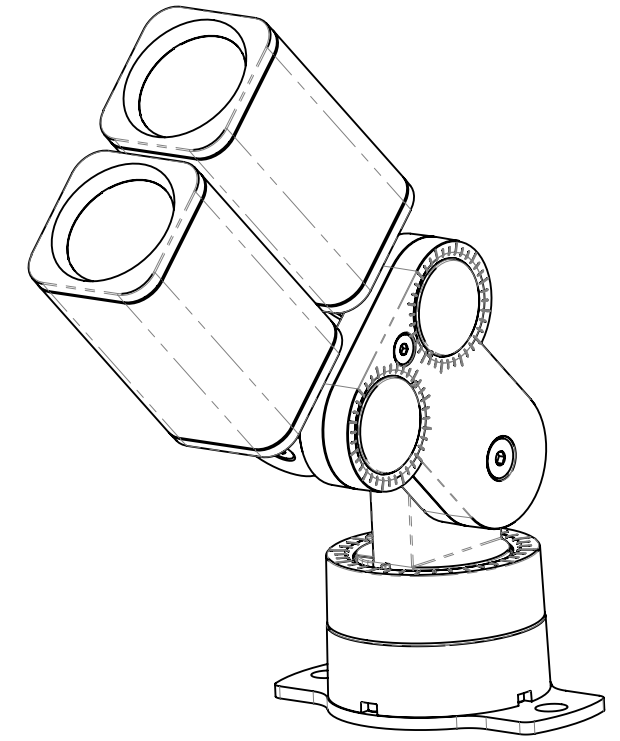
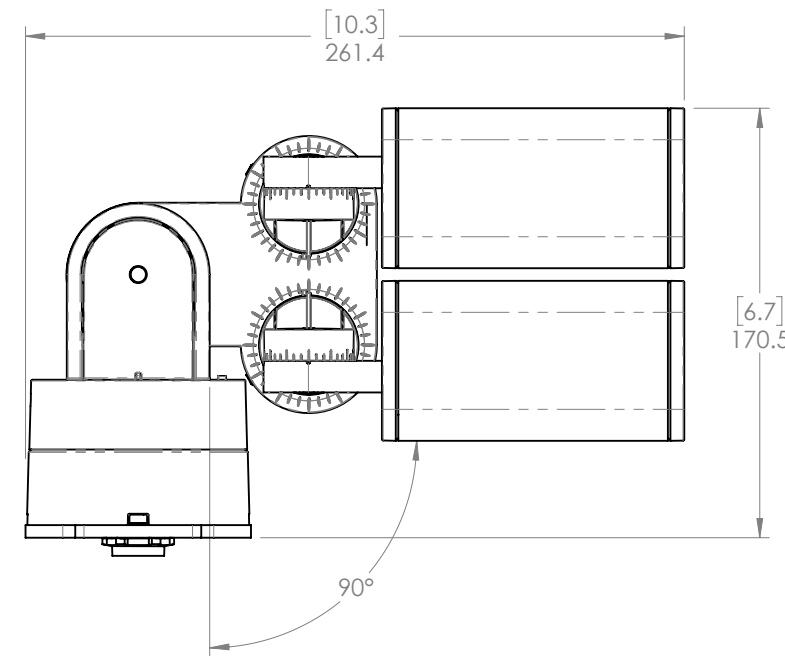
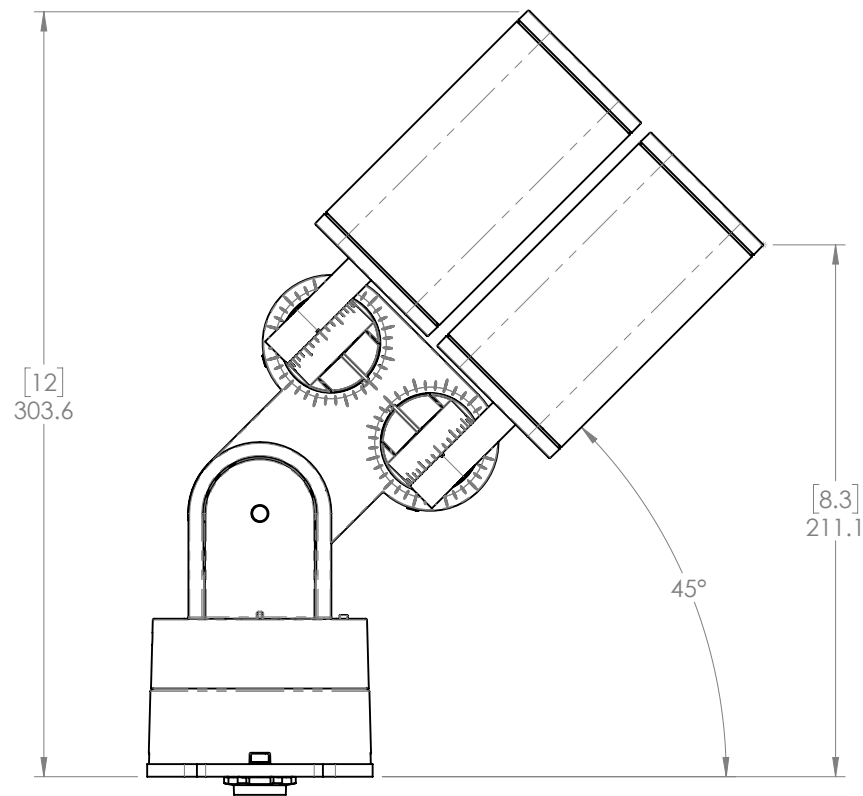
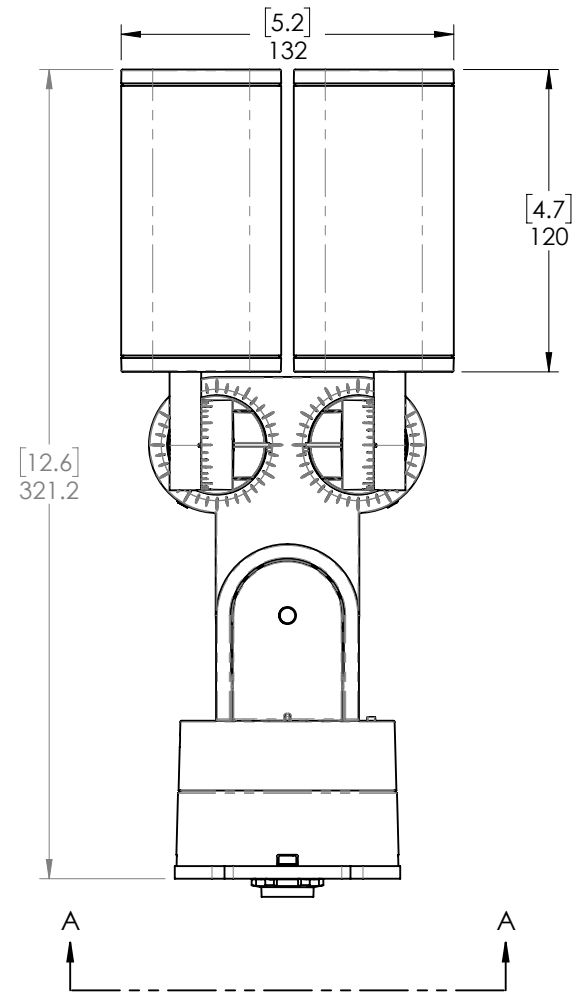


VIEW A-A  
(BOTTOM VIEW)



<p><b>PROPRIETARY AND CONFIDENTIAL</b></p> <p>THE INFORMATION CONTAINED IN THIS DRAWING IS THE SOLE PROPERTY OF ECOSENSE LIGHTING, INC. ANY REPRODUCTION IN PART OR AS A WHOLE WITHOUT THE WRITTEN PERMISSION OF ECOSENSE LIGHTING IS PROHIBITED. © 2017 ECOSENSE LIGHTING, INC.</p>	<p>UNLESS OTHERWISE SPECIFIED</p> <p>DIMENSIONS ARE IN MILLIMETERS</p> <p>TOLERANCES PER DIN ISO 2768 T1 CLASS M (MEDIUM)</p> <p>INTERPRET GEOMETRIC TOLERANCING PER: ASME Y14.5</p>	<p><b>ECOSENSE</b></p>			
		<p>TITLE</p> <p>RISE F080 DUO VERTICAL</p>			
<p>DRAWN BY</p> <p><b>J. HAWKINS</b></p>	<p>DATE DRAWN</p> <p><b>04/24/2017</b></p>	<p>DRAWING NUMBER</p>	<p>REV</p>	<p>SIZE</p> <p><b>B</b></p>	<p>SCALE</p> <p><b>1:3</b></p>
<p>PROJECT ENGINEER</p>	<p>THIRD ANGLE PROJECTION</p>		<p>SHEET</p> <p><b>1 OF 1</b></p>		