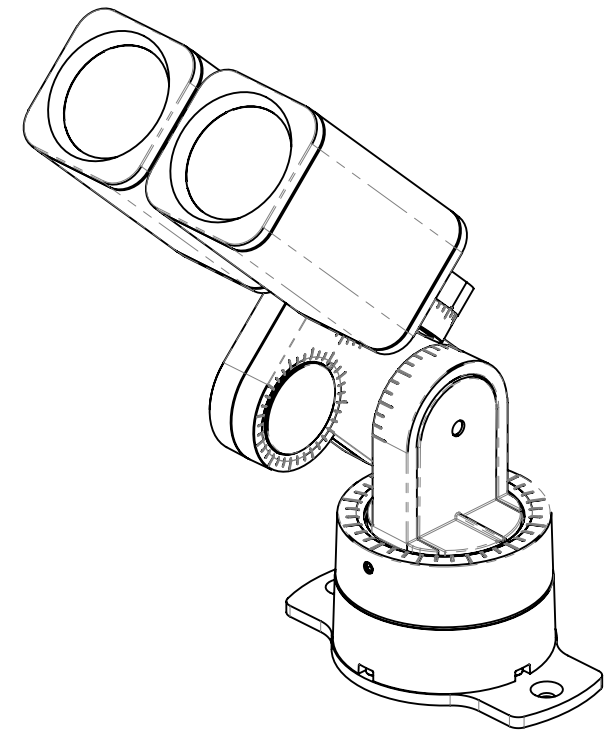
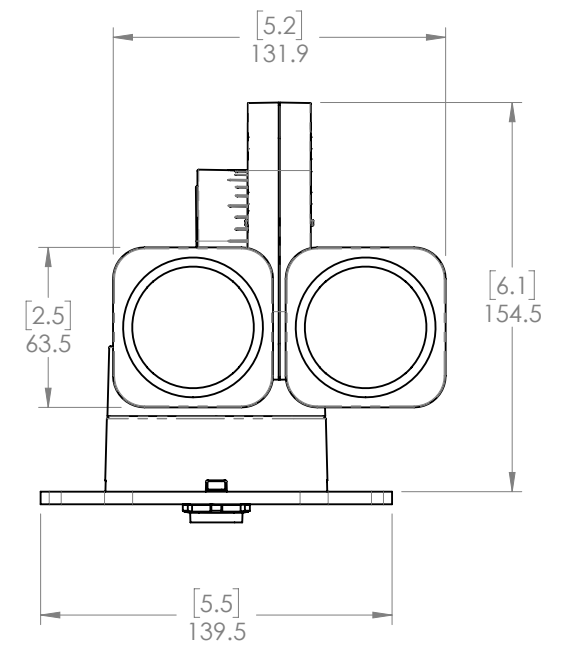
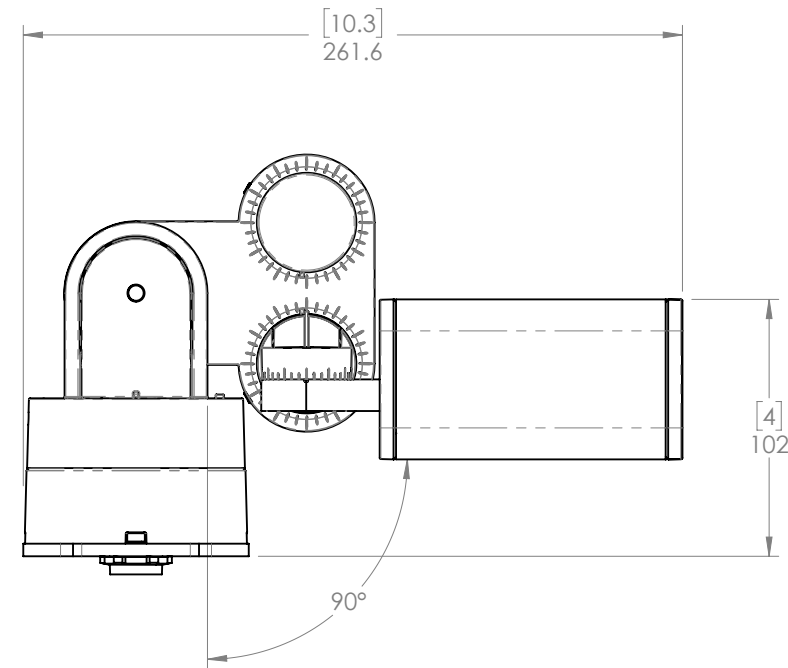
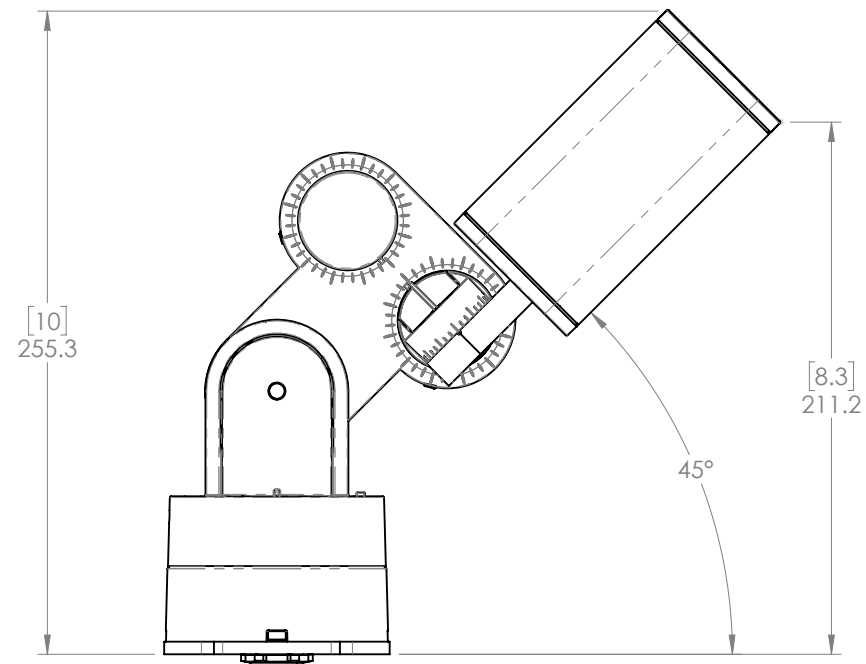
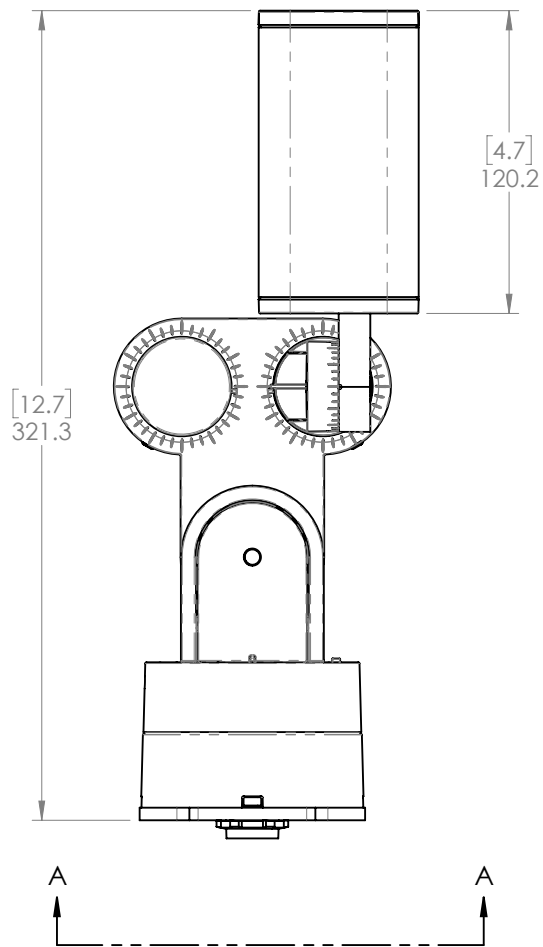


VIEW A-A
(BOTTOM VIEW)



<p>PROPRIETARY AND CONFIDENTIAL</p> <p>THE INFORMATION CONTAINED IN THIS DRAWING IS THE SOLE PROPERTY OF ECOSENSE LIGHTING, INC. ANY REPRODUCTION IN PART OR AS A WHOLE WITHOUT THE WRITTEN PERMISSION OF ECOSENSE LIGHTING IS PROHIBITED. © 2017 ECOSENSE LIGHTING, INC.</p>	<p>UNLESS OTHERWISE SPECIFIED</p> <p>DIMENSIONS ARE IN MILLIMETERS</p> <p>TOLERANCES PER DIN ISO 2768 T1 CLASS M (MEDIUM)</p> <p>INTERPRET GEOMETRIC TOLERANCING PER: ASME Y14.5</p>	<p>ECOSENSE</p>			
		<p>TITLE</p> <p>RISE F080 DUO HORIZONTAL</p>			
		<p>DRAWN BY</p> <p>J. HAWKINS</p>	<p>DATE DRAWN</p> <p>04/24/2017</p>	<p>DRAWING NUMBER</p>	<p>REV</p>
<p>PROJECT ENGINEER</p>	<p>THIRD ANGLE PROJECTION</p>	<p>SIZE</p> <p>B</p>	<p>SCALE</p> <p>1:3</p>	<p>SHEET</p> <p>1 OF 1</p>	