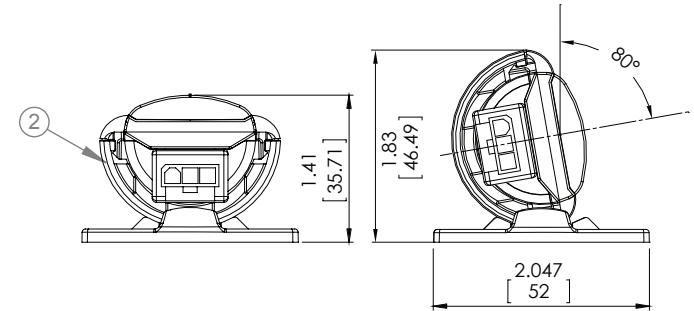
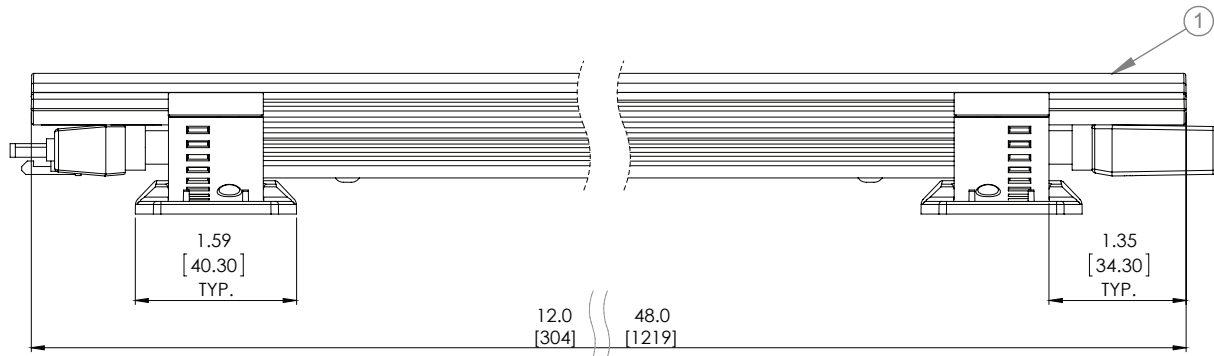
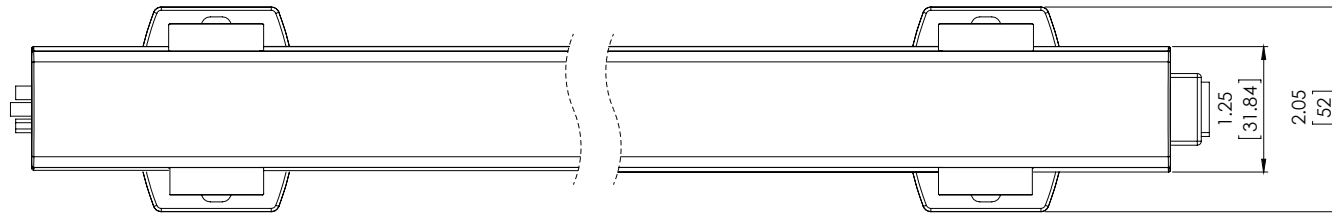
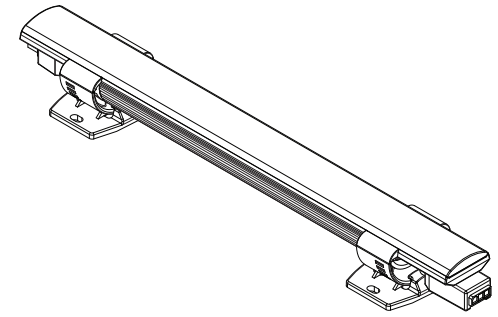


ORDERING INFORMATION		EXAMPLE: LCIS-48-30-120-120		
LCIS/LCIL - - -		120		
MODEL	LENGTH	COLOR	VOLTAGE	OPTIC
LCIS	12 (1'-0")	27 (2700K)	120 (100-120VAC)	120 (120°x 120°)
LCIL	48 (4'-0")	30 (3000K)	220 (220-240VAC)	
		35 (3500K)	277 (277VAC)	
		40 (4000K)		



ITEM NO.	PART NUMBER	DESCRIPTION	QTY
1	LCIS/LCIL-XX-XX-XXX-120	EcoSpec LINEAR INT FIXTURE	1PC
2		INTEGRAL, 160° ADJUSTABLE BRACKETS (INCLUDED)	2PC

**PROPRIETARY AND CONFIDENTIAL**

THE INFORMATION CONTAINED IN THIS DRAWING IS THE SOLE PROPERTY OF ECOSENSE LIGHTING. ANY REPRODUCTION IN PART OR AS A WHOLE WITHOUT THE WRITTEN PERMISSION OF ECOSENSE LIGHTING IS PROHIBITED.



ECOSENSE LIGHTING, INC.  
80 Broad Street, 5th Floor  
New York, NY 10004  
TEL: 888.632.6736 FAX: 212.228.9113  
INFO@ECOSENSELIGHTING.COM  
WWW.ECOSENSELIGHTING.COM

UNLESS OTHERWISE SPECIFIED

DIMENSIONS IN  
INCHES / [MM]

.XX ± .01"/.25MM ANGLE ± 1°  
.XXX ± .005"/.15MM FRACTION ± 1/64"  
INTERPRET ACCORDING TO ASME Y14.5



DRAWN

DATE 09-JAN-14

DESCRIPTION

**EcoSpec  
Linear INT**

CHECKED

DATE 09-JAN-14

DWG. NO

**Linear INT- SPEC**

MATERIAL

ALUMINUM - POLYCARBONATE

FINISH

ANODIZED - PAINTED

DO NOT UPDATE  
MANUALLY

SCALE  
1:2

SIZE  
A

SHEET  
1 OF 1