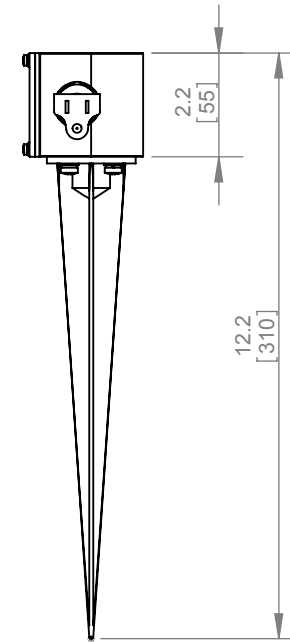
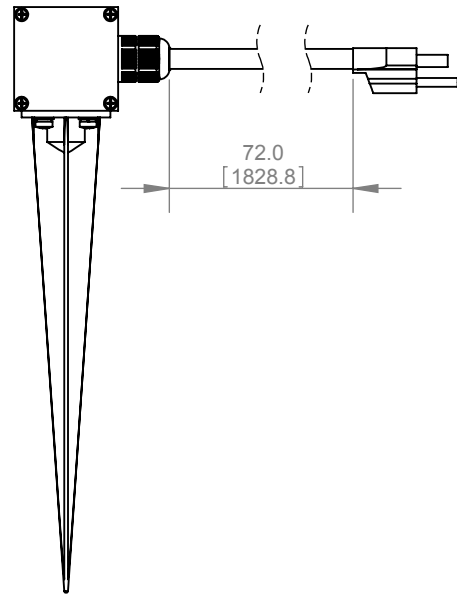
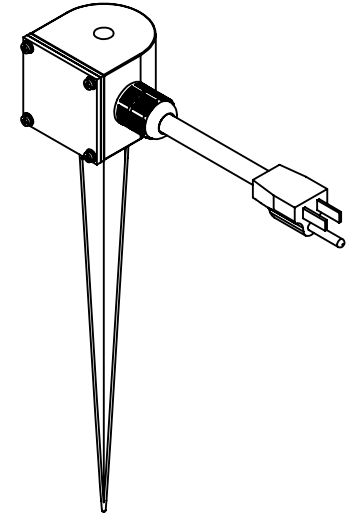
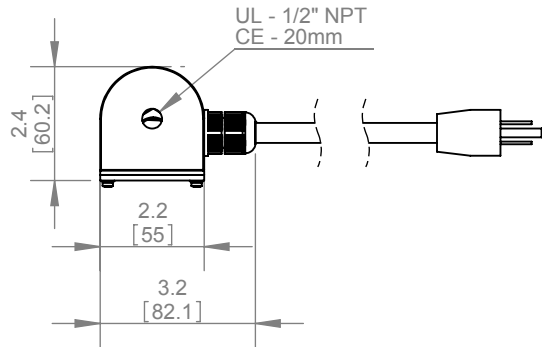


ORDERING INFORMATION	
06-A-STK - - 1 - BK	
MODEL	LISTING
06-A-STK	UL
	CE



PROPRIETARY AND CONFIDENTIAL

THE INFORMATION CONTAINED IN THIS DRAWING IS THE SOLE PROPERTY OF ECOSENSE LIGHTING. ANY REPRODUCTION IN PART OR AS A WHOLE WITHOUT THE WRITTEN PERMISSION OF ECOSENSE LIGHTING IS PROHIBITED.



ECOSENSE LIGHTING, INC.
159 RIVINGTON STREET
NEW YORK, NY 10002-2434
TEL: 888.632.6736 FAX: 212.228.9113
INFO@ECOSENSELIGHTING.COM
WWW.ECOSENSELIGHTING.COM

UNLESS OTHERWISE SPECIFIED

DIMENSIONS IN INCHES/MM

.XX ± .01"/.25MM ANGLE ± 1°
.XXX ± .005"/.15MM FRACTION ± 1/64"
INTERPRET ACCORDING TO ASME Y14.5



DRAWN

DATE 01-16-11

DESCRIPTION

**EcoSpec
LANDSCAPE MOUNTING STAKE**

CHECKED

DATE 01-16-11

DWG. NO

LANDSCAPE MOUNTING STAKE - SPEC - 011612

MATERIAL
ALUMINUM

FINISH
ELECTROSTATIC POWDER COAT - BLACK

DO NOT UPDATE MANUALLY

SCALE
1:4

SIZE
A

SHEET
1 OF 1