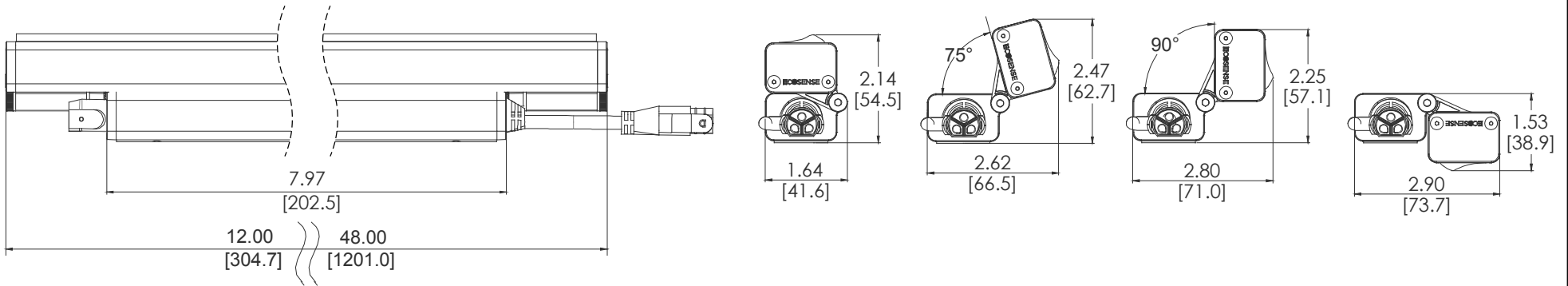
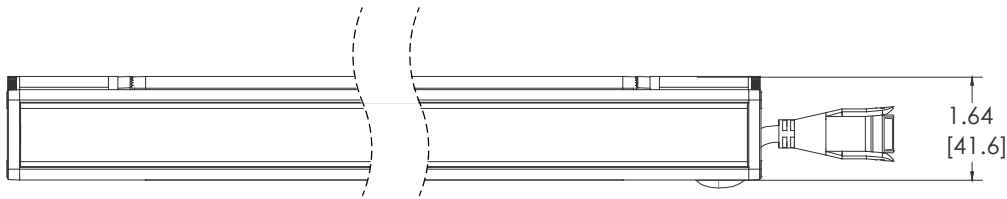
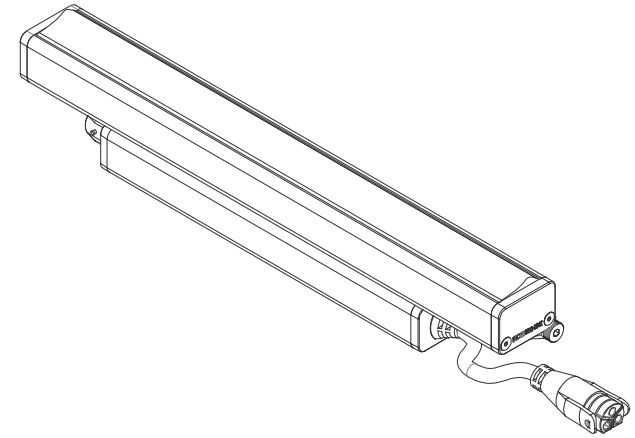


**ORDERING INFORMATION**

EXAMPLE: L50-E-12-02-22-80-110-ASYM

L50 - - - - -

MODEL	INTERIOR/ EXTERIOR	LENGTH	POWER	CCT	CRI	VOLTAGE	OPTIC
L50	I E	12" 48"	02 04 06 08 10	<b>WHITE</b> <b>CCT</b> 22 35 27 40 30 50 <b>MONO</b> <b>COLOR</b> RD GR BL AM	80 90	MULT (110-277VAC)	ASYM



ITEM NO.	PART NUMBER	DESCRIPTION	QTY
1	L50-XX-XX-XX-XX-XX-XX-XX	TROV, L50	1 PC

<p><b>PROPRIETARY AND CONFIDENTIAL</b></p> <p>THE INFORMATION CONTAINED IN THIS DRAWING IS THE SOLE PROPERTY OF ECOSENSE LIGHTING. ANY REPRODUCTION IN PART OR AS A WHOLE WITHOUT THE WRITTEN PERMISSION OF ECOSENSE LIGHTING IS PROHIBITED.</p>	<p><b>ECOSENSE</b></p> <p>ECOSENSE LIGHTING, INC. 915 WILSHIRE BOULEVARD SUITE 2175 LOS ANGELES, CA 90017 TEL: 855.632.6736 FAX: 310.496.6256 INFO@ECOSENSELIGHTING.COM WWW.ECOSENSELIGHTING.COM</p>	UNLESS OTHERWISE SPECIFIED	DRAWN	DATE	<p><b>TROV, L50</b></p>		
		<p>DIMENSIONS IN INCHES/[MM]</p> <p>.XX ± .01"/.25MM ANGLE ± 1° .XXX ± .005"/.15MM FRACTION ± 1/64" INTERPRET ACCORDING TO ASME Y14.5</p> <p>THIRD ANGLE PROJECTION</p>	CHECKED	DATE			
			<p>MATERIAL ALUMINUM - POLYCARBONATE</p>		<p>FINISH ANODIZED - PAINTED</p>		<p>DO NOT UPDATE MANUALLY</p>

5

4

3

2

1