

# EcoSpec™ Linear INT

## Installation Guide



IP20



RoHS  
COMPLIANT

### Included in Box

EcoSpec Cove  
Installation Guide  
2-Stationary Mounting Clips

### Additional Items Needed

10' Feeder Cable:  
ES04-A-CBL-UAC-10 / ES04-A-CBL-PLG-10  
Mounting Brackets:  
ES04-A-MNT-ADJ-2 / ES04-A-MNT-STA-2

### Optional Items

Jumpers, 1- or 5-ft:  
ES04-A-JMP-UAC-1 / ES04-A-JMP-UAC-5  
Mounting Track:  
ES04-A-MNT-LIN-4

EcoSense Lighting Inc.

159 Rivington Street  
New York, NY 10002-2434

www.ecosenselighting.com

Phone 212.228.8118

Fax 212.228.9113

Toll Free 888.632.6736

888.6.ECOSEN



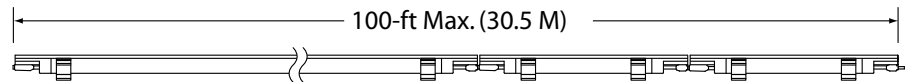
EcoSense™ fixtures must be installed by a qualified electrician.

EcoSense Lighting, Inc. is not responsible if its fixtures are not installed in accordance with all national and local safety standards.

## Plan the Installation

### Verify the Electrical Plan

Maximum run: 100-ft per 10-ft feeder cable

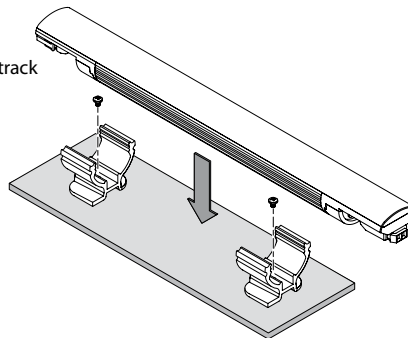


### Select Mounting Option

Choose method best suited for mounting surface and installation application. All methods work with either the stationary or adjustable mounting bracket.

A

Mount without track



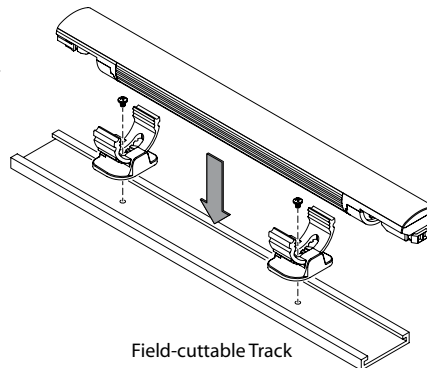
Stationary  
Mounting  
Bracket



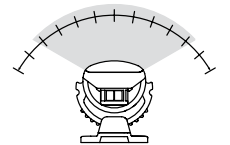
Adjustable  
Mounting  
Bracket

B

Mount with track.  
Insert hardware  
through bracket  
and track.



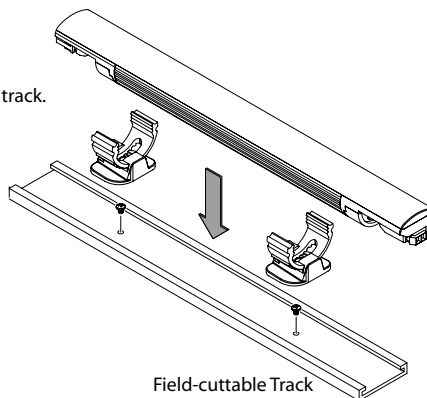
Field-cutable Track



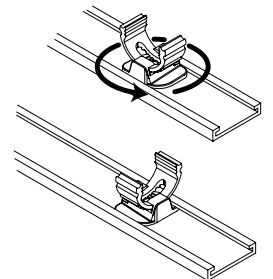
Adjustable Bracket Range

C

Mount with track.  
Attach bracket to track.



Field-cutable Track



ECOSENSE™

## Install the Fixtures

### Installation Considerations

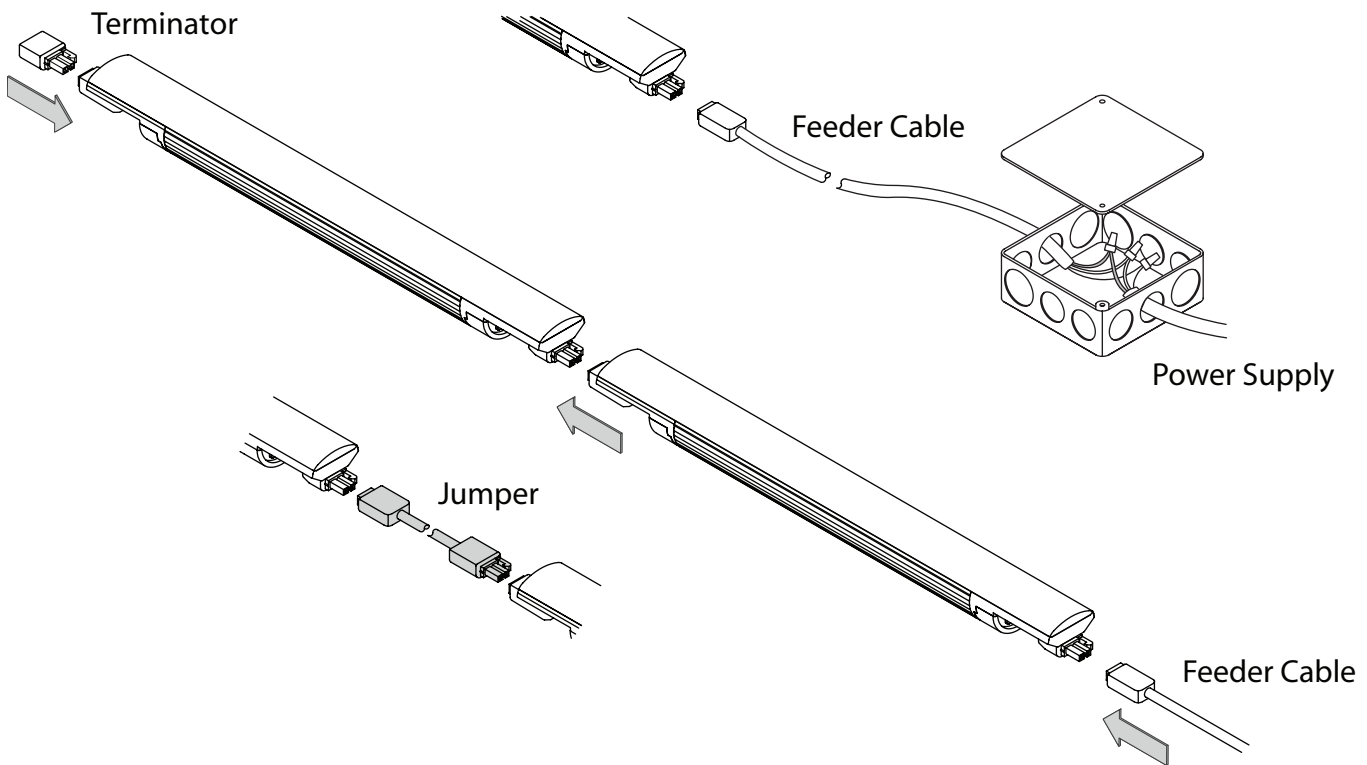
Power Consumption	5 watts (1ft) / 20 watts (4ft)
Operating Temperature	14°F to 104°F (-20°C to 40°C)
Operating Voltage	100-120VAC, 220-240VAC, 50-60Hz
Weight	6 oz/175g (1ft) / 1.5 lbs/0.7kg (4ft) approx.
Dimensions	W 1.3" x H 1.2" x L 12"/48" / (32 mm x 30 mm x 308 mm/1208 mm)



**Ensure power is OFF**

### Connect Fixtures and Power

From the feeder cable, attach fixtures in-line, end-to-end. Use jumper cable to create space between fixtures. Use terminator in last fixture in each run. Attach feeder cable to power supply.



**Read and understand the installation instructions before attempting to install or use the fixture.**

**Only use fixtures with voltage for which it is rated. Do not exceed the specified voltage and current input.**

**Do not use fixture if the housing, lens, or power cable are damaged.**

**Fixtures have line voltage risk of shock and no user serviceable parts. Do not attempt to open.**

**Do not hot swap. Ensure that power is off before connecting or disconnecting fixtures in the series.**

**Ensure that main power supply is off before installing or wiring a fixture.**

**LED Radiation. Do not view directly with optical instruments. Class 1M LED Product**