

Features

- Dimmable
- Flicker-Free
- In-line Connection
- Long Life
- Instant On
- RoHS Compliant
- Lead Free
- Mercury Free
- No UV



EcoSense Lighting Inc.
80 Broad Street
5th Floor
New York, NY 10004

www.ecosenselighting.com

Phone 212-228-8118
Fax 212-228-9113
Toll Free 888.632.6736
888.6.ECOSEN

(V. 1.0-2012)

EcoSpec[®] Linear HP EXT

DATE: _____	TYPE: _____
PROJECT: _____	
FIRM: _____	




EcoSense[®] EcoSpec[®] Linear HP EXT is an ultra-bright exterior linear white light fixture. Brighter than fluorescent tubes, these flicker-free dimmable fixtures offer an earth-friendly, mercury free cove solution.

Leveraging years of lighting experience, this robust aluminum frame fixture features powerful, energy efficient LEDs and precision constant current circuits for long-life applications.

With smart power technology, EcoSpec[®] Linear HP EXT connects directly to AC power; simplifying installation and minimizing costs. These long-life fixtures quickly pay for themselves in energy savings and maintenance costs, providing substantial savings over the 50,000 hour life of the lamp.



Specifications

Color Temperature	Lumen Output (120° x 120°)
2700K	570 lm/LF : 1140 (2') / 1710 (3') / 2280 (4')
3000K	570 lm/LF : 1140 (2') / 1710 (3') / 2280 (4')
4000K	655 lm/LF : 1310 (2') / 1965 (3') / 2620 (4')
Color Rendering Index	80
Rated Life	50,000 hours
Beam Angle	60° x 120°, 120° x 120°
Power Consumption (Max)	120VAC – 12.5W (1ft) / 25W (2ft) / 37.5W (3ft) / 50W (4ft) 220VAC – 12.5W (1ft) / 25W (2ft) / 37.5W (3ft) / 50W (4ft)
Efficacy (lm/W)	120VAC – 45.6 @ 2700K / 45.6 @ 3000K / 52.4 @ 4000K 220VAC – 45.6 @ 2700K / 45.6 @ 3000K / 52.4 @ 4000K
Maximum Fixture Run Length	45' (15m) @120VAC / 90' (25m) @220VAC 65' (20m) @120VAC / 130' (40m) @220VAC
Operating Temperature	-4°F to 122°F (-20°C to 50°C)
Operating Voltage	100-120VAC, 220-240VAC, 50-60Hz
Dimming	ELV type, trailing edge dimmers
Housing	Aluminum; Clear Polycarbonate Lens
Fixture Connectors	Integral male / female 3-pin connectors
Fixture Rating	CE Certified – IP66 (Pending) UL Certified for Wet Location (Pending)
Warranty	3 Years
Weight	0.9kg (1ft) / 1.7kg (2ft) / 2.5kg (3ft) / 3.3kg (4ft)
Dimensions	W 1.8" x H 2.1" x L 12"/24"/36"/48" (45.3mm x 52.7mm x 305mm/609mm/914mm/1,219mm)
Certifications	  

Restriction of Hazardous Substances Directive (RoHS) implements EU Directive 2002/95 which bans placing electrical and hazardous equipment that contains more than agreed levels of hazardous substances on the EU market. For a list of these substances visit www.rohs.gov.uk.

www.ecosenselighting.com

EcoSpec[®]

Linear HP EXT

DATE:	TYPE:
PROJECT:	
FIRM :	

Ordering Information Choose the option that best suits your needs and write its corresponding code on the appropriate line to form the product code.

09LC	-	-	-	-	120
MODEL	LENGTH	COLOR	VOLTAGE	OPTIC	
09LC	12 - 1'-0" 24 - 2'-0" 36 - 3'-0" 48 - 4'-0"	27 - 2700K 30 - 3000K 40 - 4000K	120 - 100-120VAC 220 - 220-240VAC	60 - 60° x 120° 120 - 120° x 120°	

Order accessories as separate catalogue numbers from the **Accessories** section below.

EXAMPLE: 09LC-12-27-120-60

Accessories

Wiring

Leader Cable 10'-0" (UL)*	EXT-A-CBL-120-10	Leader Cable 10'-0" (CE)*	EXT-A-CBL-220-10
Jumper Cable 1'-0" (UL)	EXT-A-JMP-120-1	Jumper Cable 1'-0" (CE)	EXT-A-JMP-220-1
Jumper Cable 5'-0" (UL)	EXT-A-JMP-120-5	Jumper Cable 5'-0" (CE)	EXT-A-JMP-220-5

[* One (1) terminator is included standard with each Leader Cable]

Mounting

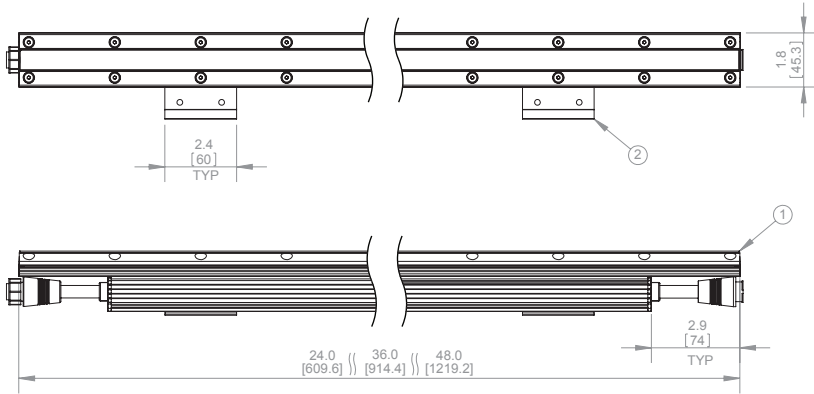
Adjustable Hinged Bracket	10-A-MNT-ADJ
Flat Mounting Plate	10-A-MNT-FLAT
Safety Bracket	09-A-MNT-SAFT

EcoSpec[®] Linear HP EXT

Dimension and Mounting

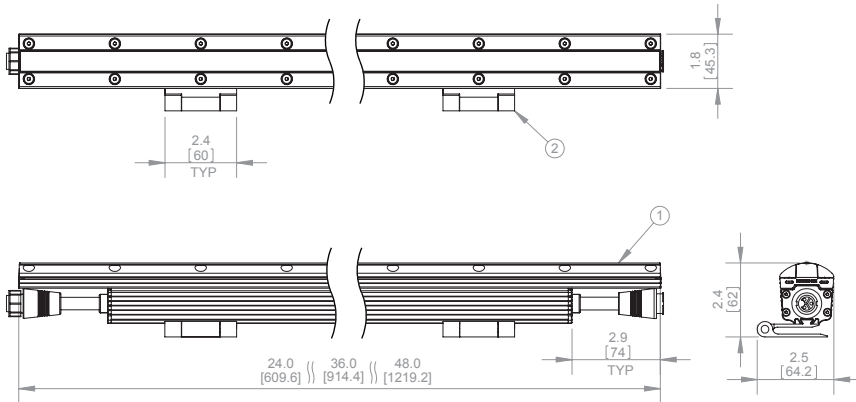
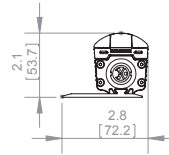
For complete dimensional submittal drawings and full scale CAD drawings, please visit ecosenselighting.com.

DATE:	TYPE:
PROJECT:	
FIRM :	



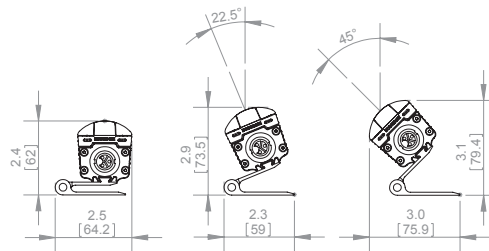
**Flat Mounting Plate
- Direct Mount**

10-A-MNT-FLAT



**Adjustable Bracket
- Direct Mount**

10-A-MNT-ADJ

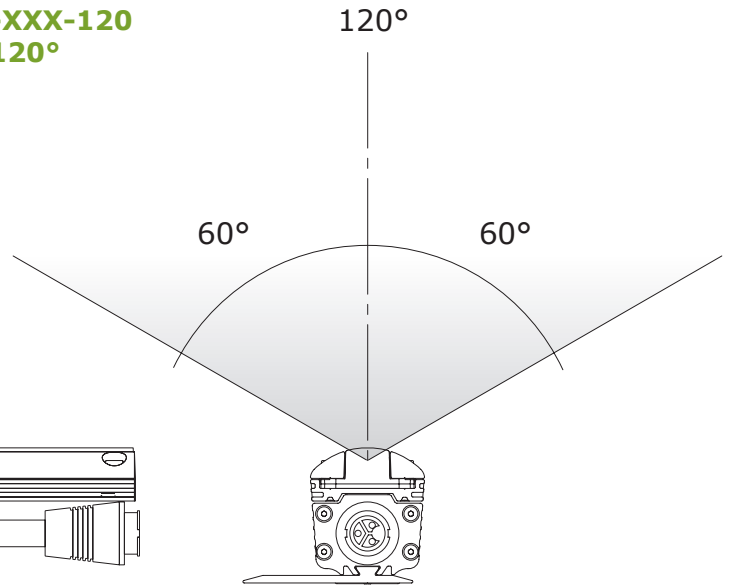
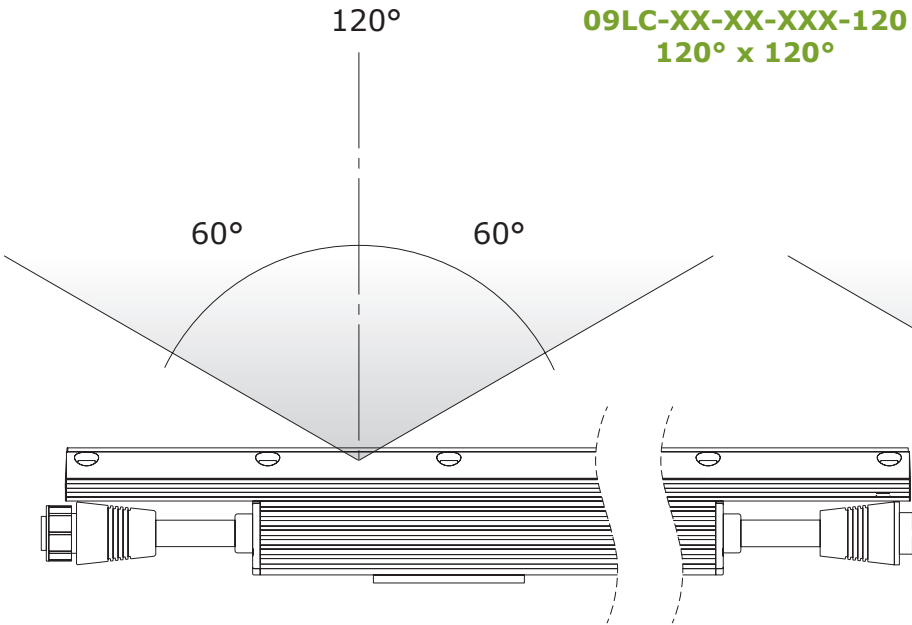
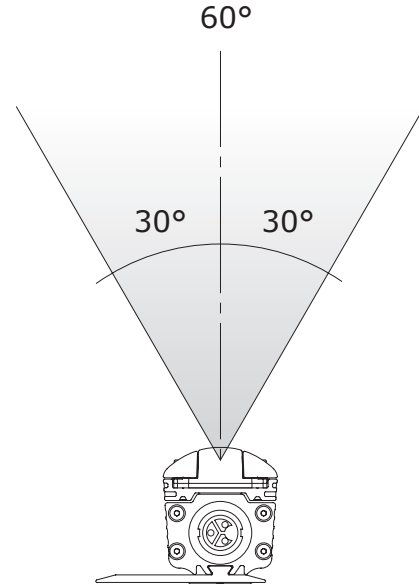
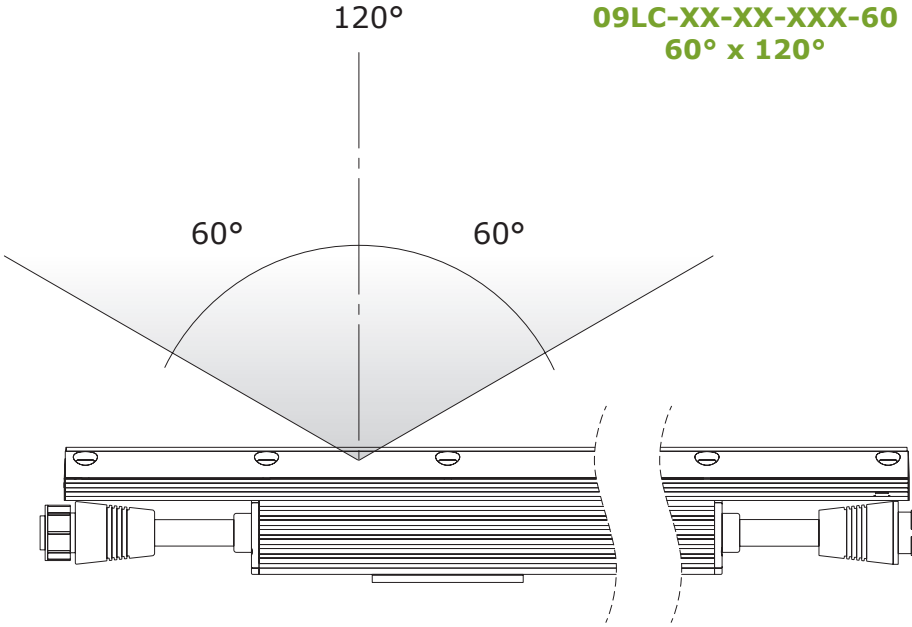


DIMENSION IN
INCHES / [MM]

EcoSpec[®] Linear HP EXT

Fixture Distribution

DATE:	TYPE:
PROJECT:	
FIRM :	



EcoSpec[®]

Linear HP EXT

DATE:	TYPE:
PROJECT:	
FIRM :	

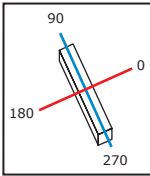
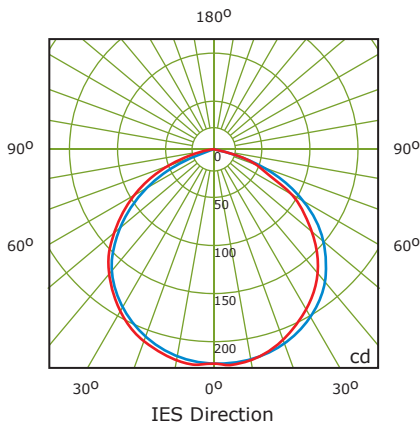
Photometry Characteristics

Characteristics	
Total Rated Fixture Lumens	621
Total Luminaire Efficiency	100%
Total Input Watts	11.8W
Horizontal Beam Angle (50%)	112
Vertical Beam Angle (50%)	111.8
Horizontal Field Angle (10%)	148.9
Vertical Field Angle (10%)	153.7

Luminance Data (cd/sq. m)			
Angle In Degrees	Average 0°	Average 45°	Average 90°
0	24764	24764	24764
45	19400	20146	23424
55	16057	17715	21784
65	9804	12554	15726
75	1278	4589	10903
85	504	596	2697

Fixture: 05LC-12-27-120-120

Candela Distribution



Coefficients of Utilization

RC	80			70			50			30			10			0
RW	50	30	10	50	30	10	50	30	10	50	30	10	50	30	10	0.00
0	1.19	1.19	1.19	1.16	1.16	1.16	1.11	1.11	1.11	1.06	1.06	1.06	1.02	1.02	1.02	1.00
1	1.05	1.01	0.98	1.03	0.99	0.96	0.99	0.96	0.93	0.95	0.92	0.90	0.91	0.89	0.87	0.85
2	0.92	0.86	0.80	0.90	0.84	0.79	0.87	0.82	0.77	0.83	0.79	0.76	0.80	0.77	0.74	0.72
3	0.81	0.73	0.67	0.80	0.72	0.66	0.77	0.70	0.65	0.74	0.68	0.64	0.71	0.67	0.63	0.61
4	0.72	0.63	0.57	0.71	0.63	0.56	0.68	0.61	0.56	0.66	0.60	0.55	0.64	0.58	0.54	0.52
5	0.64	0.55	0.49	0.63	0.55	0.49	0.61	0.54	0.48	0.59	0.53	0.48	0.57	0.52	0.47	0.45
6	0.58	0.49	0.43	0.57	0.49	0.43	0.55	0.48	0.42	0.53	0.47	0.42	0.52	0.46	0.41	0.39
7	0.52	0.44	0.38	0.52	0.43	0.38	0.50	0.43	0.37	0.49	0.42	0.37	0.47	0.41	0.37	0.35
8	0.48	0.39	0.34	0.47	0.39	0.33	0.46	0.38	0.33	0.44	0.38	0.33	0.43	0.37	0.33	0.31
9	0.44	0.36	0.30	0.43	0.36	0.30	0.42	0.35	0.30	0.41	0.35	0.30	0.40	0.34	0.30	0.28
10	0.40	0.33	0.27	0.40	0.32	0.27	0.39	0.32	0.27	0.38	0.31	0.27	0.37	0.31	0.27	0.25

Photometrics by an independent lab in accordance with current IES published Procedures.

Lumen measurements comply with IES LM-79-08.

IES data is available at www.ecosenselighting.com