

## Features

Dimmable  
Flicker-Free  
In-line Connection  
Long Life  
Instant On  
RoHS Compliant  
Lead Free  
Mercury Free  
No UV

EcoSENSE™



## EcoSense Lighting Inc.

159 Rivington Street  
New York, NY 10002-2434

www.ecosenselighting.com

Phone 212-228-8118  
Fax 212-228-9113  
Toll Free 888.632.6736  
888.6.ECOSEN



(V. 7-2010)

DATE:

TYPE:

PROJECT:

FIRM :

# EcoSpec™

## Landscape Mini-Flood

EcoSense™ EcoSpec™ Landscape Mini-Flood is an indoor/outdoor, flexible wash light fixture that is ideal for lighting pathways, stairways, halls, and entrances. Add focus and drama to any landscape or architectural point of interest with these RoHS compliant, lead-free, mercury-free fixtures.

These dimmable, low-maintenance, long-life LED fixtures quickly pay for themselves in energy savings and maintenance costs, providing substantial savings over the 50,000 hour life of the lamp.

### Specifications

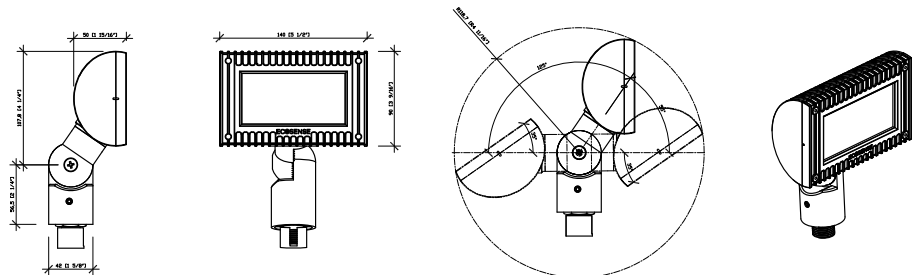
Lumen Output	
Warm White	491 lm
Neutral White	550 lm
Color Temperature	
Warm White	2700K
Neutral White	3500K
Color Rendering Index	
Warm White	80
Neutral White	80
Rated Life	
	50,000 hours
Beam Angle	
	45°, 90°
Power Consumption	
	12 watts
Operating Temperature	
	14°F to 113°F (-10°C to 45°C)
Operating Voltage	
	100-120VAC, 220-240VAC, 50-60Hz
Housing	
	Aluminum; Clear Glass
Rating	
	IP66
Weight	
	16 oz. (453kg)
Dimensions	
	W 2.0" x H 6.5" x L 5.5" (50,8 mm x 165,1 mm x 140 mm)

Certifications (Pending)



Restriction of Hazardous Substances Directive (RoHS) implements EU Directive 2002/95 which bans placing electrical and hazardous equipment that contains more than agreed levels of hazardous substances on the EU market. For a list of these substances visit [www.rohs.gov.uk](http://www.rohs.gov.uk).

### Dimensions



www.ecosenselighting.com

DATE:	TYPE:
PROJECT:	
FIRM :	

# EcoSpec™

## Landscape Mini-Flood

**Ordering Information** Choose the option that best suits your needs and write its corresponding code on the appropriate line to form the product code.

ES06-MF - - - - -						
<b>MODEL</b>	<b>COLOR</b>	<b>VOLTAGE</b>	<b>OPTIC</b>	<b>FINISH</b>	<b>OPTIONS</b>	<b>MOUNTING</b>
<b>ES06-MF</b>	<b>27 - 2700K</b> <b>35 - 3500K</b>	<b>120 - 100-120VAC</b> <b>220 - 220-240VAC</b>	<b>45 - 45° x 45°</b> <b>90 - 90° x 90°</b>	<b>WH - White</b> <b>BK - Black</b>	<b>HD - Hood</b> <b>BD - Barn Door</b> <b>STD - No Option</b>	<b>(Blank) - 1/2"NPT</b> <b>CE - Europe</b>

\*\* Order mounting and wiring accessories as separate catalogue numbers available on the **EcoSense Accessory** cut sheet.

**EXAMPLE: ES06-MF-35-120-45-WH-STD**

### Photometry Characteristics

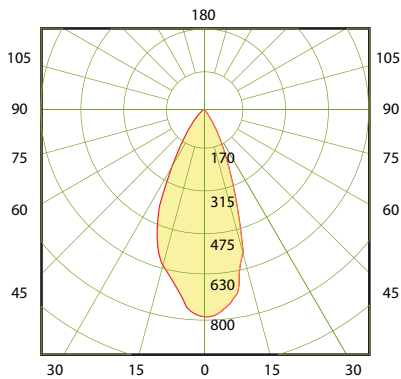
Characteristics	
Total Rated Fixture Lumens	491
Total Luminaire Efficiency	100%
IES NEMA Type	4H x 4V
Total Input Watts	11.8
Horizontal Beam Angle (50%)	—
Vertical Beam Angle (50%)	—
Horizontal Field Angle (10%)	—
Vertical Field Angle (10%)	—

Luminance Data (cd/sq. m)			
Angle In Degrees	Average 0°	Average 35°	Average 70°
0	157455	157455	157455
45	8984	9628	10460
55	6762	7014	8602
65	3640	4584	7738
75	388	1203	3350
85	0	0	0

Photometrics by an independant lab in accordance with current IES published Procedures.

IES data is available at [www.ecosenselighting.com](http://www.ecosenselighting.com)

### Candela Distribution



Coefficients of Utilization																			
RC	80				70				50				30				10		0
	70	50	30	10	70	50	30	10	50	30	10	50	30	10	50	30	10	0	
0	1.19	1.19	1.19	1.19	1.16	1.16	1.16	1.16	1.11	1.11	1.11	1.06	1.06	1.06	1.02	1.02	1.02	1.00	
1	1.13	1.10	1.08	1.06	1.11	1.08	1.06	1.04	1.04	1.02	1.01	1.01	.99	.98	.97	.96	.95	.93	
2	1.08	1.02	.98	.95	1.05	1.01	.97	.94	.98	.94	.92	.95	.92	.90	.92	.90	.88	.86	
3	1.02	.95	.90	.86	1.00	.94	.89	.86	.91	.88	.84	.89	.86	.83	.87	.84	.82	.80	
4	.97	.89	.84	.79	.95	.88	.83	.79	.86	.82	.78	.84	.80	.77	.82	.79	.76	.75	
5	.92	.84	.78	.74	.91	.83	.77	.73	.81	.76	.73	.79	.75	.72	.78	.74	.71	.70	
6	.88	.79	.73	.69	.86	.78	.73	.69	.77	.72	.68	.75	.71	.68	.74	.70	.67	.66	
7	.84	.75	.69	.65	.83	.74	.68	.64	.73	.68	.64	.72	.67	.64	.71	.67	.63	.62	
8	.80	.71	.65	.61	.79	.70	.65	.61	.69	.64	.61	.68	.64	.60	.67	.63	.60	.59	
9	.77	.67	.62	.58	.76	.67	.61	.58	.66	.61	.57	.65	.61	.57	.64	.60	.57	.56	
10	.74	.64	.59	.55	.73	.64	.58	.55	.63	.58	.55	.62	.58	.54	.61	.57	.54	.53	

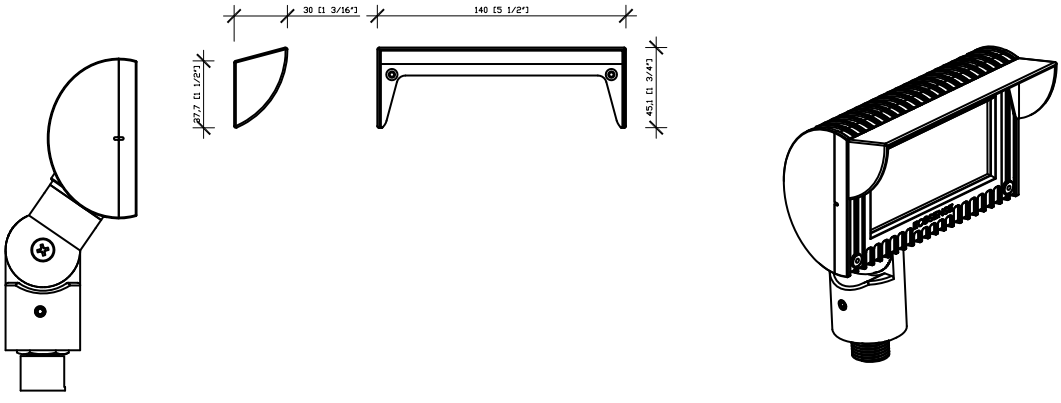
**Accessories** Also found on the EcoSense Wiring and Mounting Accessory cut sheet.

DATE:	TYPE:
PROJECT:	
FIRM :	

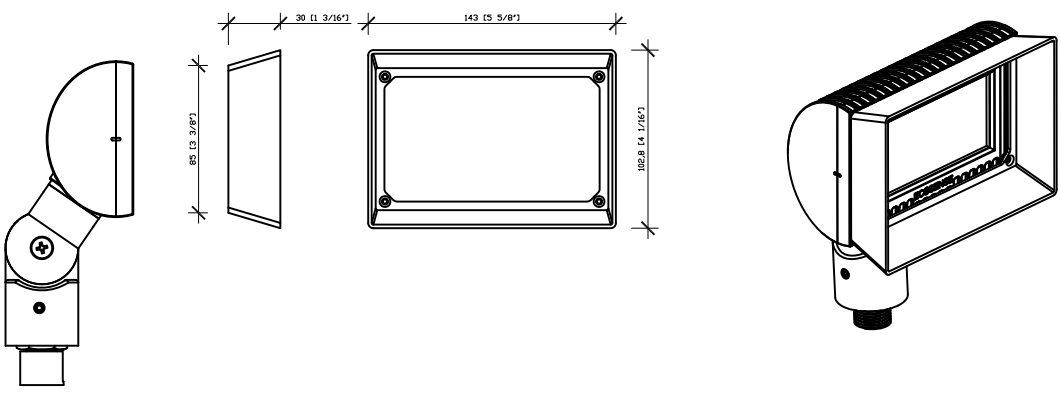
# EcoSpec™

## Landscape Mini-Flood

### Accessory Detail - Hood



### Accessory Detail - Barn Door



### Accessory Detail - Ground Stake

