

Features

Dimmable
Flicker-Free
In-line Connection
Long Life
Instant On
RoHS Compliant
Lead Free
Mercury Free
No UV

EcoSpec® Linear INT

DATE:	TYPE:
PROJECT:	
FIRM :	

EcoSense® EcoSpec® Linear INT is a powerful, versatile indoor linear white light fixture. Its flicker-free dimming capabilities make it suitable for all interior architectural, retail, exhibit, and display applications. Leveraging years of lighting experience, this robust, aluminum-frame fixture features powerful, energy efficient LEDs and precision constant-current circuits for long-life applications.

With smart power technology, EcoSpec® Linear INT connects directly to AC power simplifying installation and minimizing costs. These cool to the touch fixtures quickly pay for themselves in energy savings and provide substantial savings over the 50,000 hour life of the lamp.



Specifications

Color Temperature	Lumen Output
2700K	228 lm/LF : 228 (1') / 912 (4')
3000K	246 lm/LF : 246 (1') / 980 (4')
3500K	262 lm/LF : 262 (1') / 1048 (4')
4000K	300 lm/LF : 300 (1') / 1200 (4')
Color Rendering Index	80
Rated Life	50,000 hours
Beam Angle	120° x 120°
Power Consumption (Max)	120VAC - 5.2W (1ft) / 21W (4ft) 240VAC - 5.8W (1ft) / 23W (4ft)
Efficacy (lm/W)	120VAC - 43.8 @2700K / 47.3 @3000K / 50.3 @3500K / 57.7 @4000K 220VAC - 39.3 @2700K / 42.4 @3000K / 45.1 @3500K / 51.7 @4000K
Maximum Fixture Run Length	100' (30m) @120VAC / 200' (60m) @220VAC
Operating Temperature	14°F to 104°F (-10°C to 40°C)
Operating Voltage	100-120VAC, 220-240VAC, 50-60Hz
Dimming	ELV type, trailing edge dimmers
Housing	Aluminum; Clear Polycarbonate Lens
Fixture Connectors	Integral male / female 3-pin connectors
Fixture Rating	CE Certified - IP40 UL Certified for Damp Locations
Warranty	3 Years
Weight	6.2 oz (0.39 lbs) /175g (1ft) 22.9 oz (1.43 lbs) /650g (4ft)
Dimensions	W 1.4" x H 1.5" x L 12"/48" (35.3 mm x 39 mm x 304 mm/1,219 mm)
Certifications	  

Restriction of Hazardous Substances Directive (RoHS) implements EU Directive 2002/95 which bans placing electrical and hazardous equipment that contains more than agreed levels of hazardous substances on the EU market. For a list of these substances visit www.rohs.gov.uk.

ECOSENSE®

EcoSense Lighting Inc.
80 Broad Street
5th Floor
New York, NY 10004

www.ecosenselighting.com

Phone 212-228-8118
Fax 212-228-9113
Toll Free 888.632.6736
888.6.ECOSEN

(V. 10.0-2011)

www.ecosenselighting.com

EcoSpec[®] Linear INT

DATE: _____	TYPE: _____
PROJECT: _____	
FIRM : _____	

Ordering Information

Choose the option that best suits your needs and write its corresponding code on the appropriate line to form the product code.

04LC	-	-	-	-	120
MODEL	LENGTH	COLOR	VOLTAGE	OPTIC	
04LC	12 - 1'-0" 48 - 4'-0"	27 - 2700K 30 - 3000K 35 - 3500K 40 - 4000K	120 - 100-120VAC 220 - 220-240VAC	120 - 120° x 120°	

Order mounting and wiring accessories as separate catalogue numbers from the **Accessories** section below.

EXAMPLE: 04LC-48-30-120-120

Accessories

Wiring

Leader Cable 10'-0" (UL)*	INT-A-CBL-120-10	Leader Cable 10'-0" (CE)*	INT-A-CBL-220-10
Jumper Cable 1'-0" (UL)	INT-A-JMP-120-1	Jumper Cable 1'-0" (CE)	INT-A-JMP-220-1
Jumper Cable 5'-0" (UL)	INT-A-JMP-120-5	Jumper Cable 5'-0" (CE)	INT-A-JMP-220-5
Jumper Cable 4" (UL)	INT-A-JMP-120-4	Jumper Cable 4" (CE)	INT-A-JMP-220-4

[* One (1) terminator is included standard with each Leader Cable]

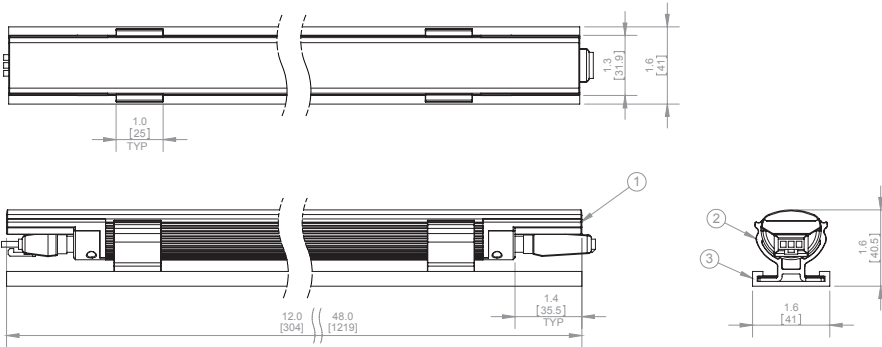
Mounting

Mounting Track (4'-0" Length)	04-A-MNT-TRK-4
Adjustable Mounting Clip	04-A-MNT-ADJ
Fixed Mounting Clip	04-A-MNT-STA (Two (2) clips included with each product length.)
Fixed Low Profile / Undercabinet Clip	04-A-MNT-LP

DATE:	TYPE:
PROJECT:	
FIRM :	

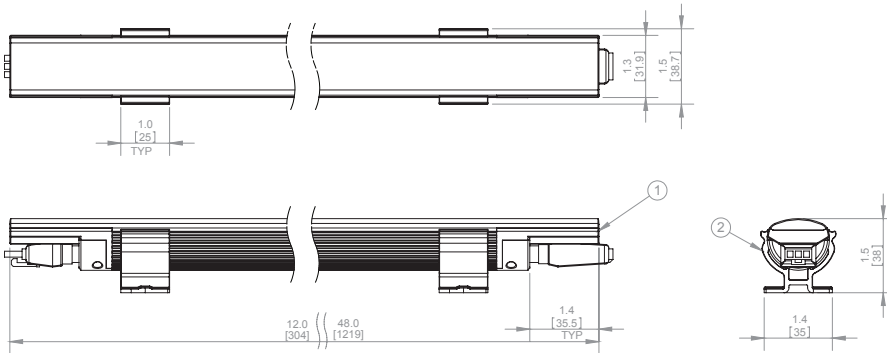
EcoSpec[®] Linear INT

Dimension and Mounting For complete dimensional submittal drawings and full scale CAD drawings, please visit ecosenselighting.com.



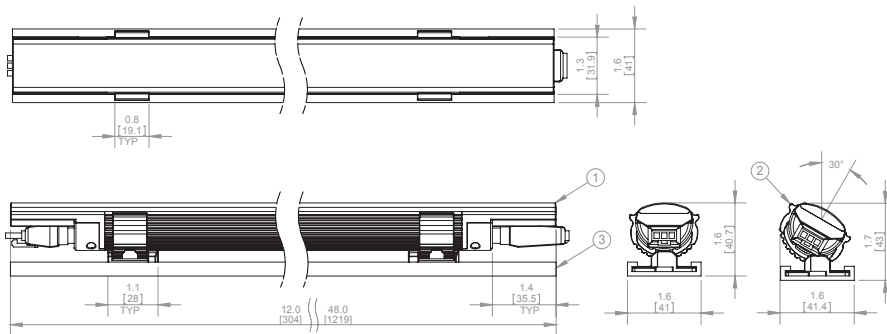
Fixed Clip in Track

**04-A-MNT-STA
04-A-MNT-TRK-4**



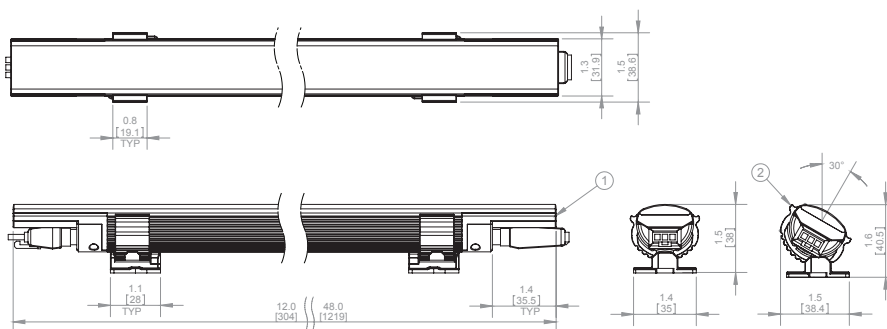
Fixed Clip - Direct Mount

04-A-MNT-STA



Adjustable Clip in Track

**04-A-MNT-ADJ
04-A-MNT-TRK-4**



Adjustable Clip - Direct Mount

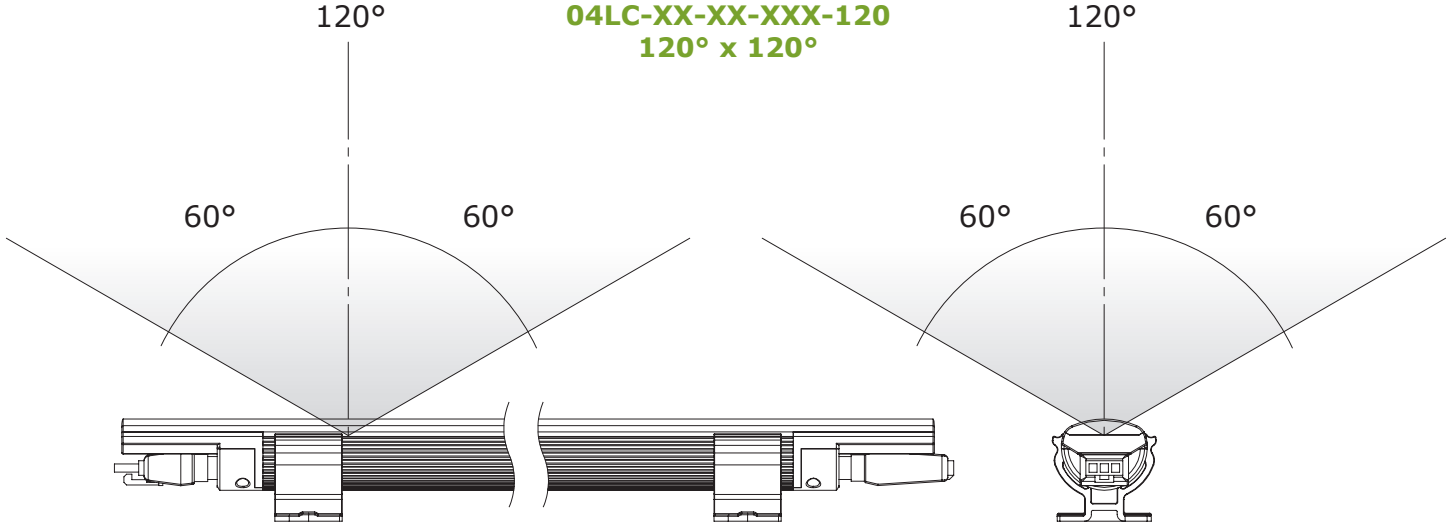
04-A-MNT-ADJ

DIMENSION IN
INCHES / [MM]

DATE:		TYPE:	
PROJECT:			
FIRM :			

EcoSpec[®] Linear INT

Fixture Distribution



EcoSpec[®] Linear INT

DATE:	TYPE:
PROJECT:	
FIRM :	

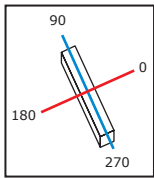
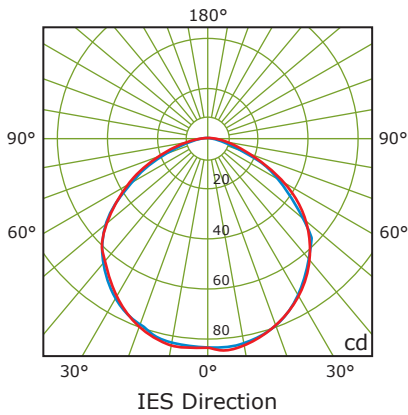
Photometry Characteristics

Characteristics	
Total Rated Fixture Lumens	228
Total Luminaire Efficiency	100%
Total Input Watts	5.08W
Horizontal Beam Angle (50%)	109.6
Vertical Beam Angle (50%)	111.4
Horizontal Field Angle (10%)	147.7
Vertical Field Angle (10%)	152.8

Luminance Data (cd/sq. m)			
Angle In Degrees	Average 0°	Average 45°	Average 90°
0	8511	8511	8511
45	9039	7593	7177
55	8852	7222	6304
65	7258	6149	4531
75	4727	3760	2752
85	0	0	0

Fixture: 04LC-12-27-120-120

Candela Distribution



Coefficients of Utilization

RC	80			70			50			30			10			0
RW	50	30	10	50	30	10	50	30	10	50	30	10	50	30	10	0.00
0	1.19	1.19	1.19	1.16	1.16	1.16	1.11	1.11	1.11	1.06	1.06	1.06	1.02	1.02	1.02	1.00
1	1.05	1.01	0.98	1.03	1.00	0.96	0.99	0.96	0.93	0.95	0.93	0.90	0.91	0.90	0.88	0.86
2	0.92	0.86	0.81	0.90	0.85	0.80	0.87	0.82	0.78	0.84	0.80	0.76	0.81	0.77	0.74	0.72
3	0.81	0.74	0.67	0.80	0.73	0.67	0.77	0.71	0.66	0.74	0.69	0.64	0.72	0.67	0.63	0.61
4	0.72	0.64	0.57	0.71	0.63	0.57	0.68	0.61	0.56	0.66	0.60	0.55	0.64	0.59	0.54	0.52
5	0.65	0.56	0.49	0.63	0.55	0.49	0.61	0.54	0.48	0.59	0.53	0.48	0.58	0.52	0.47	0.45
6	0.58	0.49	0.43	0.57	0.49	0.43	0.55	0.48	0.42	0.54	0.47	0.42	0.52	0.46	0.42	0.40
7	0.53	0.44	0.38	0.52	0.44	0.38	0.50	0.43	0.38	0.49	0.42	0.37	0.48	0.42	0.37	0.35
8	0.48	0.40	0.34	0.47	0.39	0.34	0.46	0.39	0.34	0.45	0.38	0.33	0.44	0.38	0.33	0.31
9	0.44	0.36	0.30	0.43	0.36	0.30	0.42	0.35	0.30	0.41	0.35	0.30	0.40	0.34	0.30	0.28
10	0.41	0.33	0.28	0.40	0.33	0.27	0.39	0.32	0.27	0.38	0.32	0.27	0.37	0.31	0.27	0.25

Photometrics by an independent lab in accordance with current IES published Procedures.

Lumen measurements comply with IES LM-79-08.

IES data is available at www.ecosenselighting.com